



(12) **United States Design Patent**  
**King et al.**

(10) **Patent No.:** **US D872,600 S**  
(45) **Date of Patent:** **\*\* \*Jan. 14, 2020**

(54) **PARKING PAY STATION VIDEO DISPLAY CAP**

(56) **References Cited**

U.S. PATENT DOCUMENTS

(71) Applicant: **IPS Group, Inc.**, San Diego, CA (US)

D388,227 S	12/1997	Dallman	
D400,684 S	11/1998	Dallman	
5,903,520 A	5/1999	Dee et al.	
D423,181 S *	4/2000	Dallman	D99/28
D423,755 S *	4/2000	Ha	D14/902
D624,274 S *	9/2010	Pendleton	D6/707.2
D735,437 S *	7/2015	Randall	D99/28

(Continued)

(72) Inventors: **David William King**, Rancho Santa Fe, CA (US); **Alexander Schwarz**, San Diego, CA (US); **David Andrew Jones**, Beecroft (AU); **Choor Hong Tan**, Wentworth Point (AU)

OTHER PUBLICATIONS

(73) Assignee: **IPS GROUP INC.**, San Diego, CA (US)

Co-pending U.S. Appl. No. 29/602,232, filed Apr. 28, 2017.

(\* ) Notice: This patent is subject to a terminal disclaimer.

(Continued)

(\*\*) Term: **15 Years**

*Primary Examiner* — Elizabeth J Oswecki

(21) Appl. No.: **29/602,934**

(74) *Attorney, Agent, or Firm* — Wilson Sonsini Goodrich & Rosati

(22) Filed: **May 4, 2017**

(57) **CLAIM**

(51) **LOC (12) Cl.** ..... **99-00**

The ornamental design for a parking pay station video display cap, as shown and described.

(52) **U.S. Cl.**

USPC ..... **D10/43**

**DESCRIPTION**

(58) **Field of Classification Search**

USPC .... D99/28, 34, 35, 36, 43, 99; D18/3.1–3.3, D18/4.1–4.6, 12.1–12.3; D21/324, 325, D21/329, 369, 370; D14/300–302, 305, D14/307, 900–902, 496, 125, 126, 239; 101/66; 109/1 R, 1 V, 2, 23, 24.1, 25, 109/58, 58.5, 66; 446/8–13; 705/16, 17, 705/18, 42, 43, 45; 235/51, 379, 380, 235/382

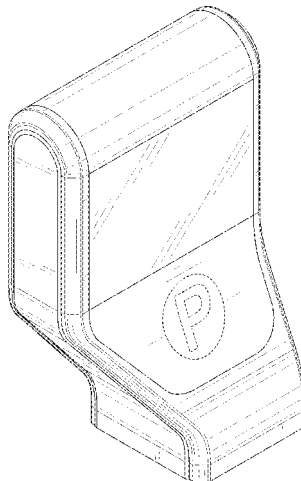
FIG. 1 is a top front perspective view of a parking pay station video display cap, showing our new design; FIG. 2 is a front elevational view thereof; FIG. 3 is a rear elevational view thereof; FIG. 4 is a left side elevational view thereof; FIG. 5 is a right side elevational view thereof; FIG. 6 is a top plan view thereof; FIG. 7 is a bottom plan view thereof; and, FIG. 8 is a top front perspective view thereof, shown in a used condition mounted on a parking pay station shown in broken lines.

CPC .. G06Q 20/10; G06Q 20/108; G06Q 20/1085; G06Q 20/18; G07D 1/00; G07D 1/02; G07D 1/04; G07D 1/06; G07D 11/00; G07D 9/002; G07D 9/04; G07F 19/20; G07F 19/201; G07F 19/202; G07F 19/203; G07F 19/204; G07F 19/205; G07F 19/21; G07F 19/00; G07F 7/04; G07F 5/00; G07F 1/00; E05G 7/001; E05G 1/006; A63H 33/00; A63G 33/005

The broken lines shown in FIG. 8 of the entire parking pay station form no part of the claimed design.

See application file for complete search history.

**1 Claim, 8 Drawing Sheets**



(56)

**References Cited**

U.S. PATENT DOCUMENTS

D735,438 S \* 7/2015 Randall ..... D99/28  
 D735,440 S \* 7/2015 Randall ..... D99/28  
 D735,963 S \* 8/2015 Randall ..... D99/28  
 D735,965 S \* 8/2015 Randall ..... D99/28  
 D746,015 S \* 12/2015 King ..... D99/28  
 D748,364 S \* 1/2016 King ..... D99/28  
 D748,888 S \* 2/2016 King ..... D99/28  
 D762,040 S \* 7/2016 King ..... D99/28  
 D779,771 S \* 2/2017 King ..... D99/28  
 D779,772 S \* 2/2017 King ..... D99/28  
 D779,773 S \* 2/2017 King ..... D99/28  
 D779,774 S \* 2/2017 King ..... D99/28  
 D781,024 S \* 3/2017 King ..... D99/28  
 D795,523 S \* 8/2017 King ..... D99/28  
 D802,874 S \* 11/2017 King ..... D99/28  
 D802,875 S \* 11/2017 King ..... D99/28  
 D802,876 S \* 11/2017 King ..... D99/28

D802,877 S \* 11/2017 King ..... D99/28  
 D802,878 S \* 11/2017 King ..... D99/28  
 D813,059 S \* 3/2018 MacKay ..... D10/42  
 2007/0276724 A1\* 11/2007 Catt ..... G07B 15/00  
 705/13  
 2015/0371483 A1\* 12/2015 Sun ..... G07F 1/046  
 194/347  
 2017/0034600 A1 2/2017 King et al.  
 2017/0083043 A1 3/2017 Bowers et al.  
 2018/0322534 A1 11/2018 King et al.

OTHER PUBLICATIONS

Co-pending U.S. Appl. No. 29/602,237, filed Apr. 28, 2017.  
 Co-pending U.S. Appl. No. 29/602,239, filed Apr. 28, 2017.  
 Co-pending U.S. Appl. No. 29/602,240, filed Apr. 28, 2017.  
 Co-pending U.S. Appl. No. 29/602,241, filed Apr. 28, 2017.

\* cited by examiner

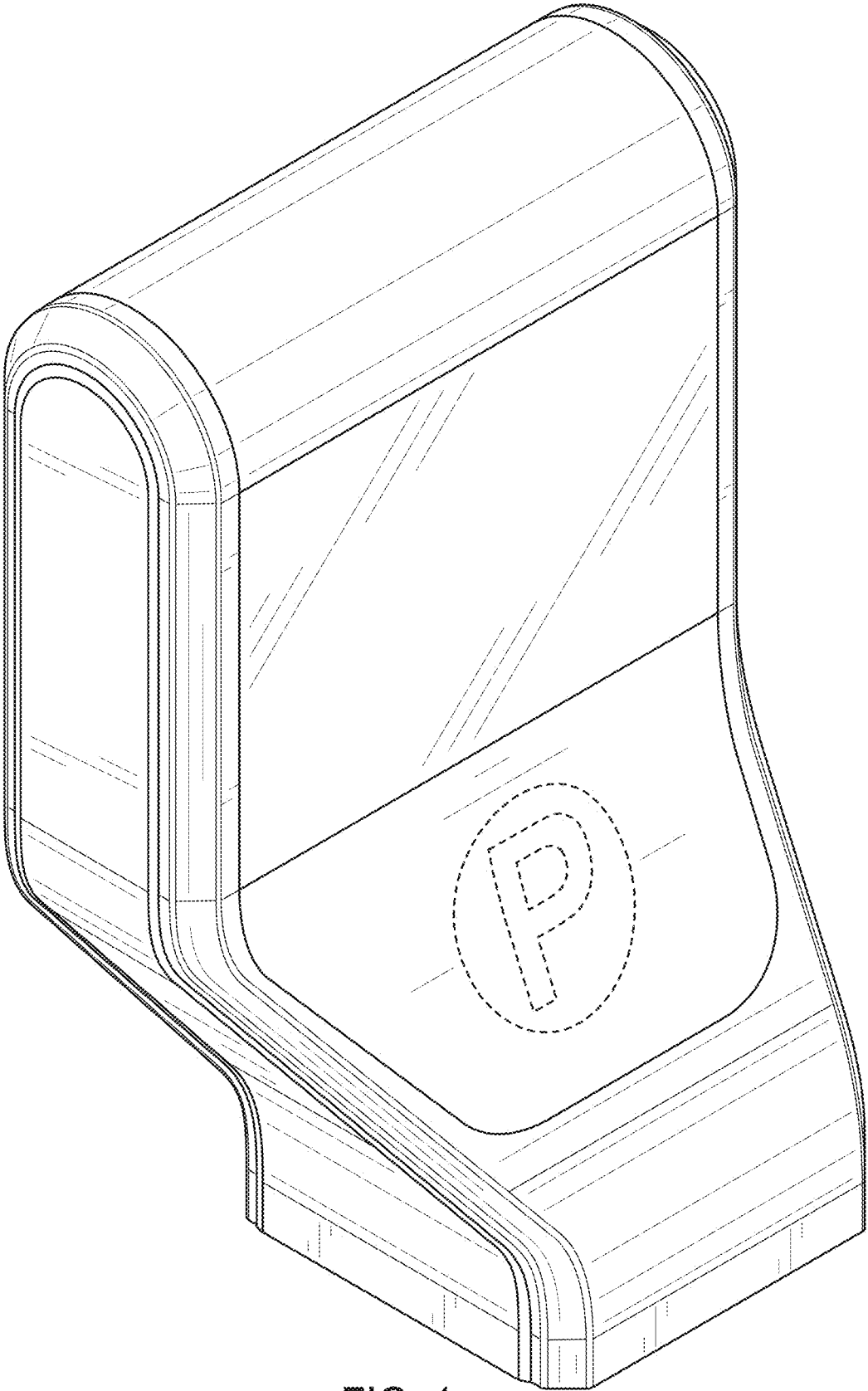


FIG. 1

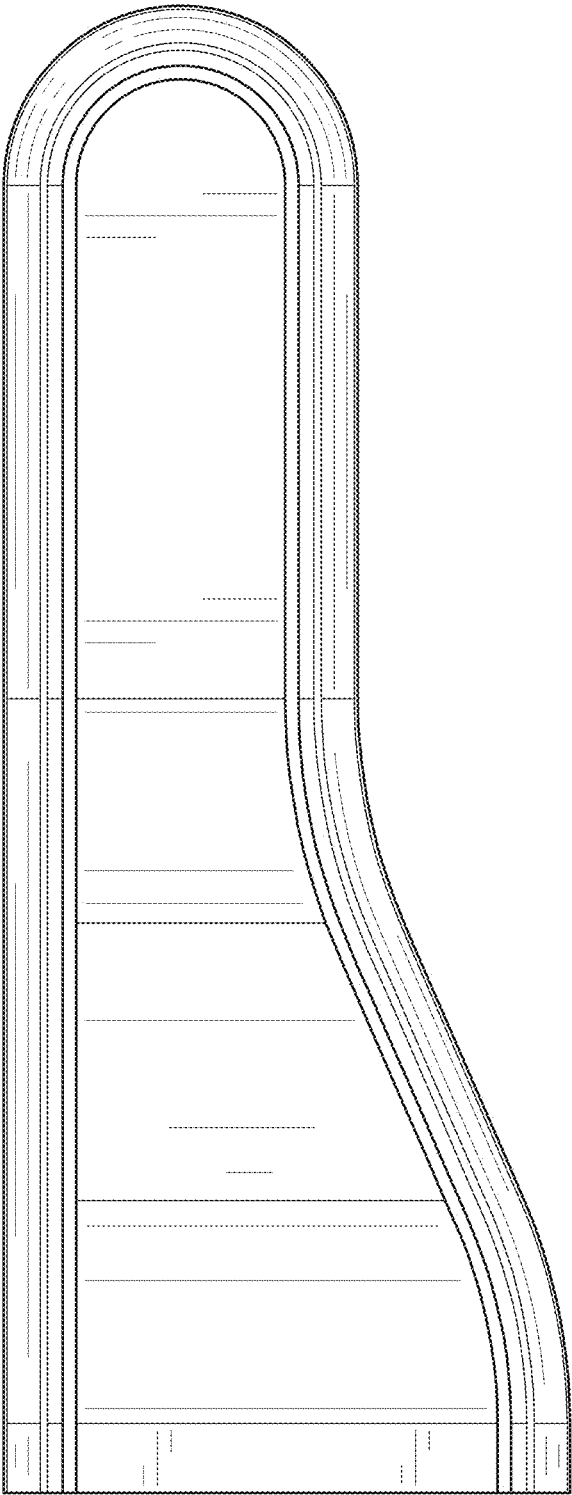


FIG. 2

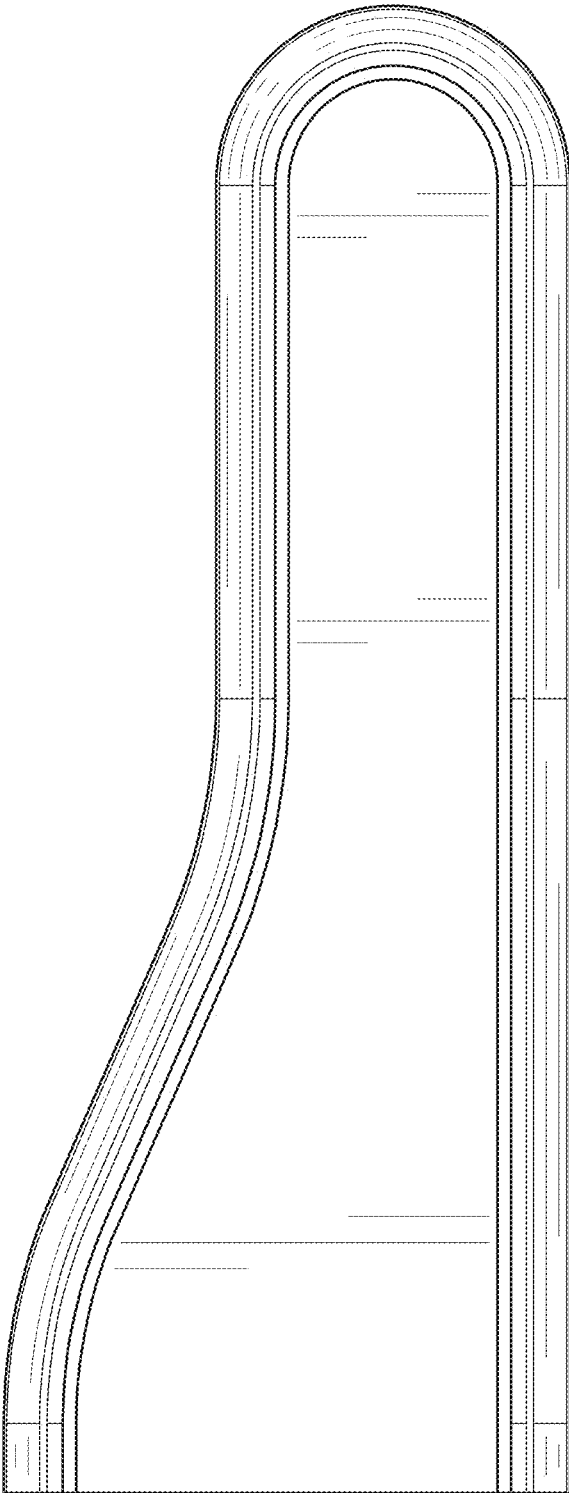


FIG. 3

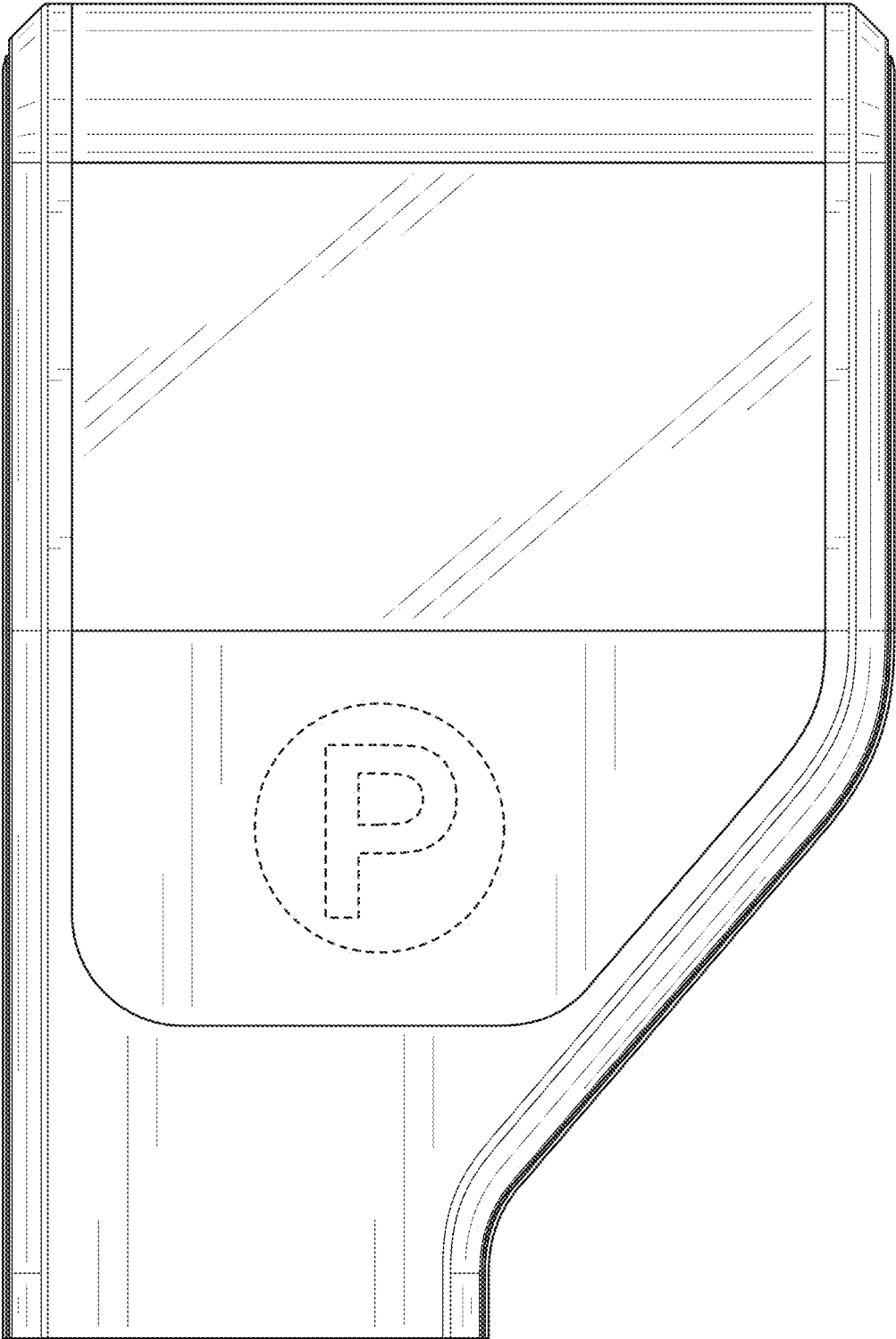


FIG. 4

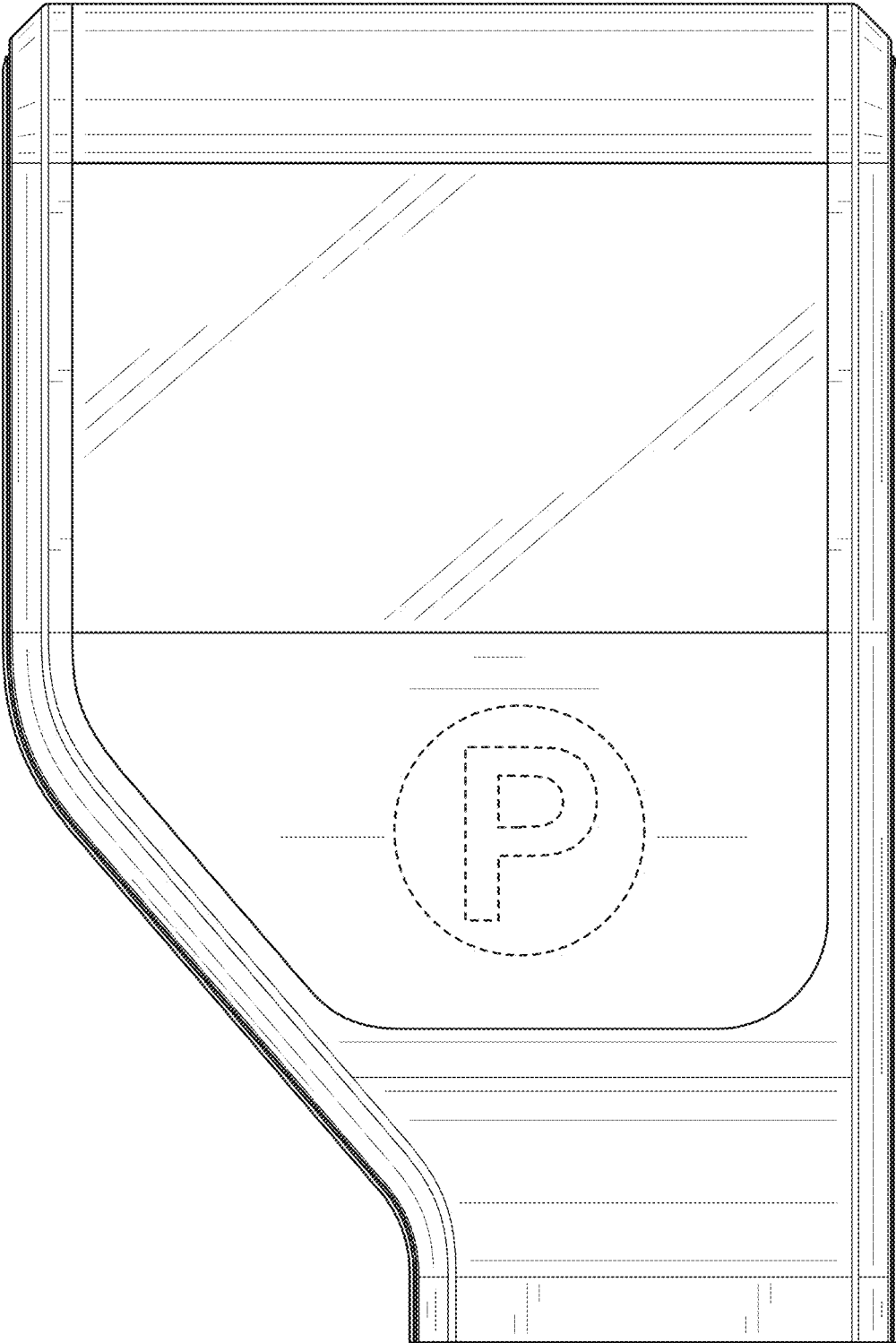


FIG. 5

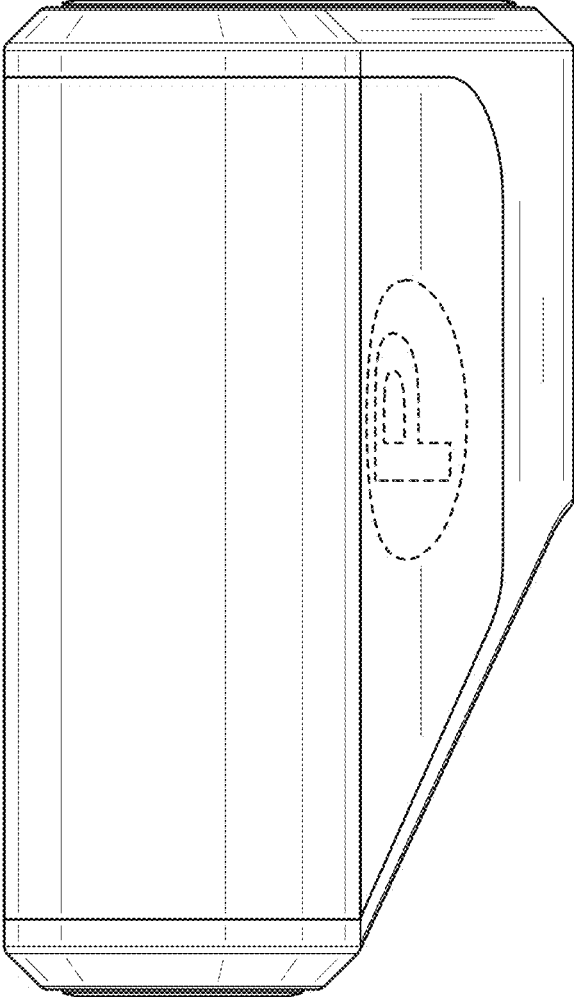


FIG. 6



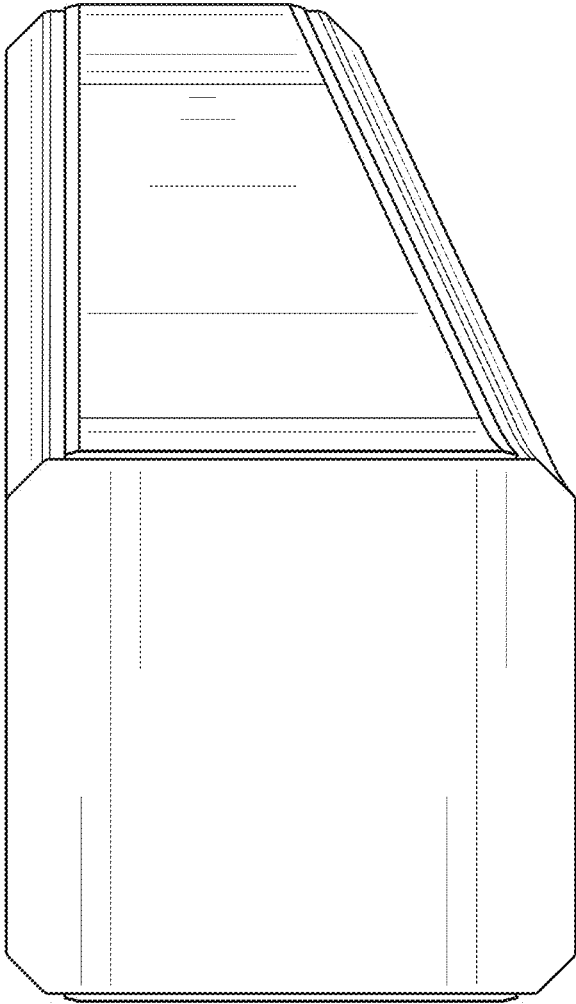


FIG. 7

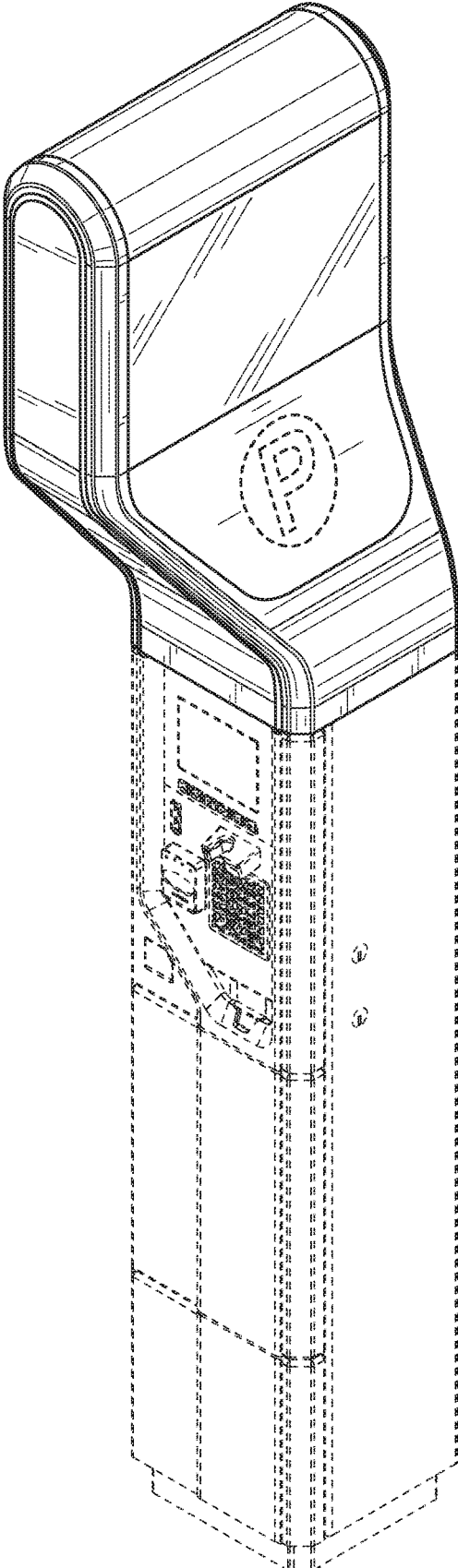


FIG. 8