



(12) **United States Design Patent**
King et al.

(10) **Patent No.:** **US D853,678 S**
(45) **Date of Patent:** **** Jul. 9, 2019**

(54) **PARKING PAY STATION VIDEO DISPLAY CAP**

(71) Applicant: **IPS Group Inc.**, San Diego, CA (US)
(72) Inventors: **David William King**, Rancho Santa Fe, CA (US); **Alexander Schwarz**, San Diego, CA (US); **David Andrew Jones**, Beecroft (AU); **Choor Hong Tan**, Wentworth Point (AU)

(73) Assignee: **IPS GROUP INC.**, San Diego, CA (US)

(**) Term: **15 Years**

(21) Appl. No.: **29/602,232**

(22) Filed: **Apr. 28, 2017**

(51) **LOC (11) Cl.** **99-00**

(52) **U.S. Cl.**
USPC **D99/43**

(58) **Field of Classification Search**

USPC D99/28, 34, 35, 36, 43, 99;
D14/300-302, 305, 307, 900-902, 496,
D14/125, 126, 239; D18/3.1-3.3,
D18/4.1-4.6, 12.1-12.3; D21/324, 325,
D21/329, 369, 370; 101/66; 109/1 R,
109/1 V, 2, 23, 24.1, 25, 58, 58.5, 66;
446/8-13; 705/16, 17, 18, 42, 43, 45;
235/51, 379, 380, 382
CPC .. G06Q 20/10; G06Q 20/108; G06Q 20/1085;
G06Q 20/18; G07D 1/00; G07D 1/02;
G07D 1/04; G07D 1/06; G07D 11/00;
G07D 9/002; G07D 9/04; G07F 19/20;
G07F 19/201; G07F 19/202; G07F
19/203; G07F 19/204; G07F 19/205;
G07F 19/21; G07F 19/00; G07F 7/04;
G07F 5/00; G07F 1/00; E05G 7/001;
E05G 1/006; A63H 33/00; A63G 33/005

See application file for complete search history.

(56) **References Cited**

U.S. PATENT DOCUMENTS

4,754,126 A 6/1988 Caldwell
D336,860 S 6/1993 Clough
D342,209 S 12/1993 Clough
D360,734 S 7/1995 Hall
D388,227 S * 12/1997 Dallman D99/28
(Continued)

OTHER PUBLICATIONS

Co-pending U.S. Appl. No. 29/602,237, filed Apr. 28, 2017.
(Continued)

Primary Examiner — Elizabeth J Oswecki

(74) *Attorney, Agent, or Firm* — Wilson Sonsini Goodrich & Rosati

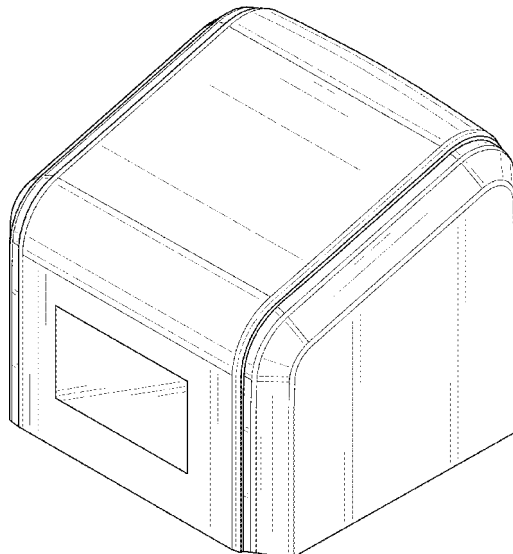
(57) **CLAIM**

The ornamental design for a parking pay station video display cap, as shown and described.

DESCRIPTION

FIG. 1 is a top front perspective view of a parking pay station video display cap, showing our new design;
FIG. 2 is a front elevational view thereof;
FIG. 3 is a rear elevational view thereof;
FIG. 4 is a left side elevational view thereof;
FIG. 5 is a right side elevational view thereof;
FIG. 6 is a top plan view thereof;
FIG. 7 is a bottom plan view thereof; and,
FIG. 8 is a top front perspective view thereof, shown in a used condition mounted on a parking pay station shown in broken lines.
The broken lines shown in the drawings represent portions of the parking pay station that form no part of the claimed design.

1 Claim, 8 Drawing Sheets



(56)

References Cited

U.S. PATENT DOCUMENTS

D396,655 S	8/1998	Anderson		D716,515 S	10/2014	Cha	
D400,684 S *	11/1998	Dallman	D99/28	D722,740 S	2/2015	Budde	
5,903,520 A	5/1999	Dee et al.		D724,290 S	3/2015	Cha et al.	
5,915,246 A	6/1999	Patterson et al.		D724,811 S	3/2015	Reitingner	
D412,289 S	7/1999	Winwood		D724,812 S	3/2015	Cha et al.	
6,029,888 A	2/2000	Harvey		D728,190 S	4/2015	Sheley	
D423,181 S *	4/2000	Dallman	D99/28	D732,263 S	6/2015	Budde et al.	
D423,755 S *	4/2000	Ha	D14/902	D735,437 S *	7/2015	Randall	D99/28
D431,788 S	10/2000	Tuxen et al.		D735,438 S *	7/2015	Randall	D99/28
D437,468 S	2/2001	Fukutake et al.		D735,440 S *	7/2015	Randall	D99/28
D450,253 S	11/2001	Marguet		D735,963 S *	8/2015	Randall	D99/28
D460,005 S	7/2002	Jacquet		D735,965 S *	8/2015	Randall	D99/28
6,527,172 B1	3/2003	Lewis et al.		D739,638 S	9/2015	Randall	
D488,280 S	4/2004	Zerman		D739,639 S	9/2015	Randall	
D492,080 S	6/2004	Magee		D741,040 S	10/2015	Budde et al.	
D492,081 S	6/2004	Magee		D743,956 S	11/2015	Kraft et al.	
D497,814 S	11/2004	Odinotski et al.		D746,015 S	12/2015	King et al.	
D505,240 S	5/2005	Swaine et al.		D748,364 S	1/2016	King et al.	
D505,765 S	5/2005	Swaine et al.		D748,888 S	2/2016	King et al.	
D510,751 S	10/2005	Magee et al.		D749,290 S	2/2016	Pollmann	
7,004,385 B1	2/2006	Douglass		D755,649 S	5/2016	King et al.	
D530,880 S	10/2006	Magee et al.		D762,040 S	7/2016	King et al.	
7,131,576 B2	11/2006	Utz et al.		D769,570 S	10/2016	Kraft et al.	
D538,505 S	3/2007	Kang		D769,571 S	10/2016	Lee et al.	
D570,920 S	6/2008	Choi		D769,572 S	10/2016	Park et al.	
7,419,091 B1	9/2008	Scanlon		D779,771 S	2/2017	King et al.	
D579,795 S	11/2008	Martinez et al.		D779,772 S	2/2017	King et al.	
7,445,144 B2	11/2008	Schlabach et al.		D779,773 S	2/2017	King et al.	
D582,125 S	12/2008	Kang et al.		D779,774 S	2/2017	King et al.	
D592,825 S	5/2009	Kang et al.		D781,024 S *	3/2017	King	D99/28
7,533,802 B1	5/2009	McGinley et al.		D795,523 S *	8/2017	King	D99/28
D596,373 S	7/2009	Kang et al.		D802,874 S *	11/2017	King	D99/28
D596,374 S	7/2009	Kang		D802,875 S *	11/2017	King	D99/28
7,575,166 B2	8/2009	McNamara		D802,876 S *	11/2017	King	D99/28
7,611,045 B1	11/2009	Lute et al.		D802,877 S *	11/2017	King	D99/28
7,624,919 B2	12/2009	Meek et al.		D802,878 S *	11/2017	King	D99/28
7,699,224 B2	4/2010	Mole		D813,059 S *	3/2018	MacKay	D10/42
D615,274 S	5/2010	Kim et al.		2004/0262379 A1	12/2004	Gomes et al.	
7,717,327 B2	5/2010	Gomes et al.		2005/0029340 A1	2/2005	Ferraro	
7,726,558 B1	6/2010	Lute et al.		2007/0046651 A1	3/2007	Sinclair et al.	
D624,274 S *	9/2010	Pendleton	D6/707.2	2007/0276724 A1*	11/2007	Catt	G07B 15/00 705/13
D625,305 S	10/2010	Bleck		2008/0257965 A1	10/2008	Klein et al.	
D629,585 S	12/2010	Bleck et al.		2008/0265019 A1	10/2008	Artino et al.	
D632,740 S	2/2011	Adeline		2008/0296365 A1	12/2008	Schliebe	
7,891,546 B1	2/2011	Steinbach et al.		2009/0057398 A1	3/2009	Douglass et al.	
D645,223 S	9/2011	Bleck		2010/0161489 A1	6/2010	Goodall et al.	
D652,872 S	1/2012	Mougin et al.		2010/0187300 A1	7/2010	Ramachandran et al.	
D653,014 S	1/2012	Rohan		2010/0241564 A1	9/2010	Miller et al.	
D653,420 S	1/2012	Rohan		2010/0243729 A1	9/2010	Russell et al.	
D653,421 S	1/2012	Rohan		2011/0133613 A1	6/2011	Descamps et al.	
8,181,857 B1	5/2012	Lute et al.		2015/0371483 A1*	12/2015	Sun	G07F 1/046 194/347
D672,525 S	12/2012	Lee et al.		2017/0034600 A1	2/2017	King et al.	
D674,985 S	1/2013	Lee		2017/0083043 A1	3/2017	Bowers et al.	
D677,035 S	2/2013	Lee		2018/0322534 A1	11/2018	King et al.	
D677,714 S	3/2013	Helgesson et al.					
D680,156 S	4/2013	Hernandez et al.					
D681,717 S	5/2013	Helgesson et al.					
D682,504 S	5/2013	Lee et al.					
D691,165 S	10/2013	Attoma					
D693,983 S	11/2013	Budde et al.					
8,573,484 B1	11/2013	Irudayam et al.					
D696,484 S	12/2013	Lee					
D696,485 S	12/2013	Lee					
D702,913 S	4/2014	Budde					
D702,914 S	4/2014	Budde					

OTHER PUBLICATIONS

Co-pending U.S. Appl. No. 29/602,239, filed Apr. 28, 2017.
 Co-pending U.S. Appl. No. 29/602,240, filed Apr. 28, 2017.
 Co-pending U.S. Appl. No. 29/602,241, filed Apr. 28, 2017.
 Co-pending U.S. Appl. No. 29/602,934, filed May 4, 2017.
 U.S. Appl. No. 29/477,321 Office Action dated May 15, 2015.
 U.S. Appl. No. 29/477,324 Office Action dated Apr. 23, 2015.
 U.S. Appl. No. 29/477,329 Office Action dated May 22, 2015.

* cited by examiner

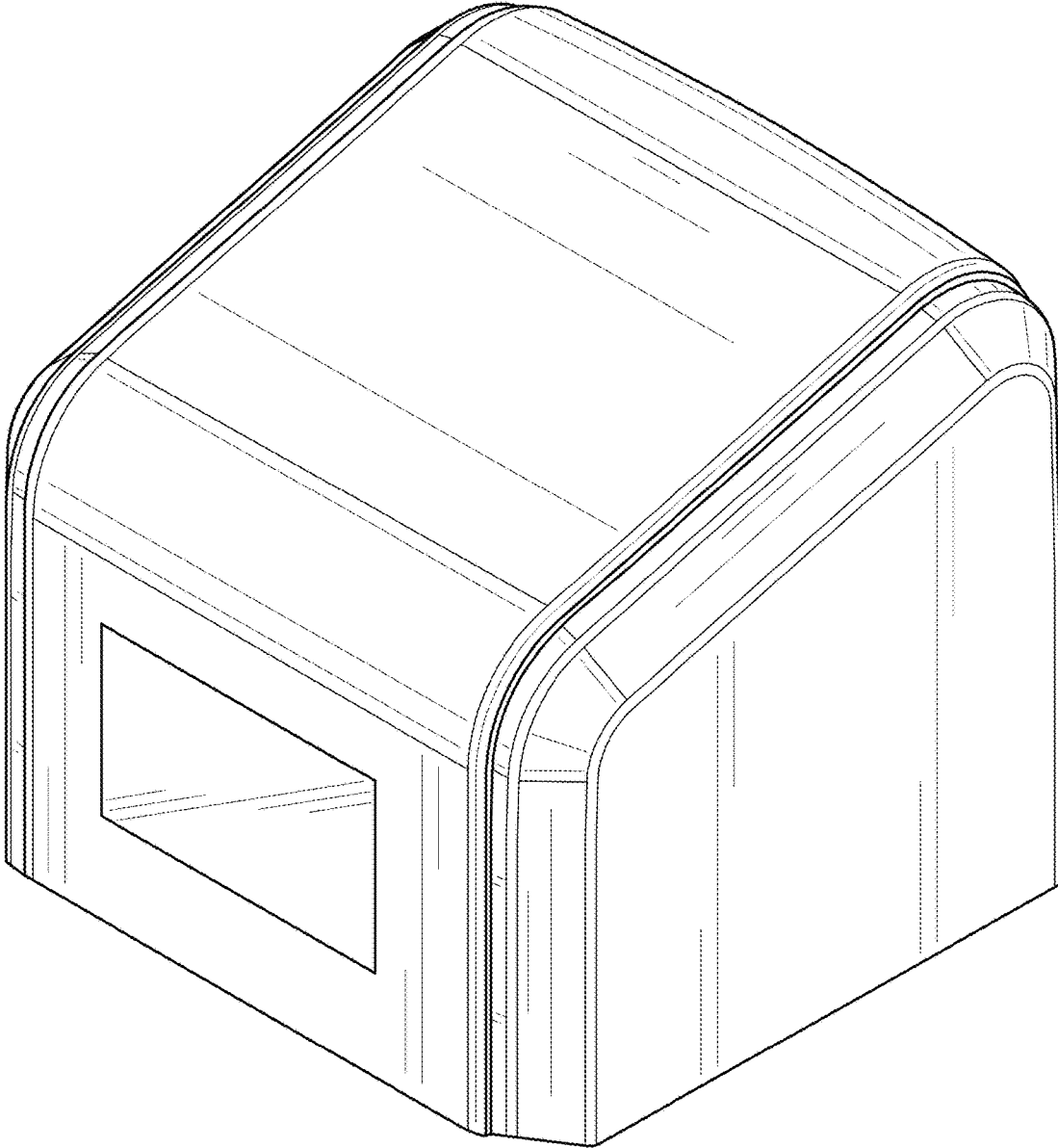


FIG. 1

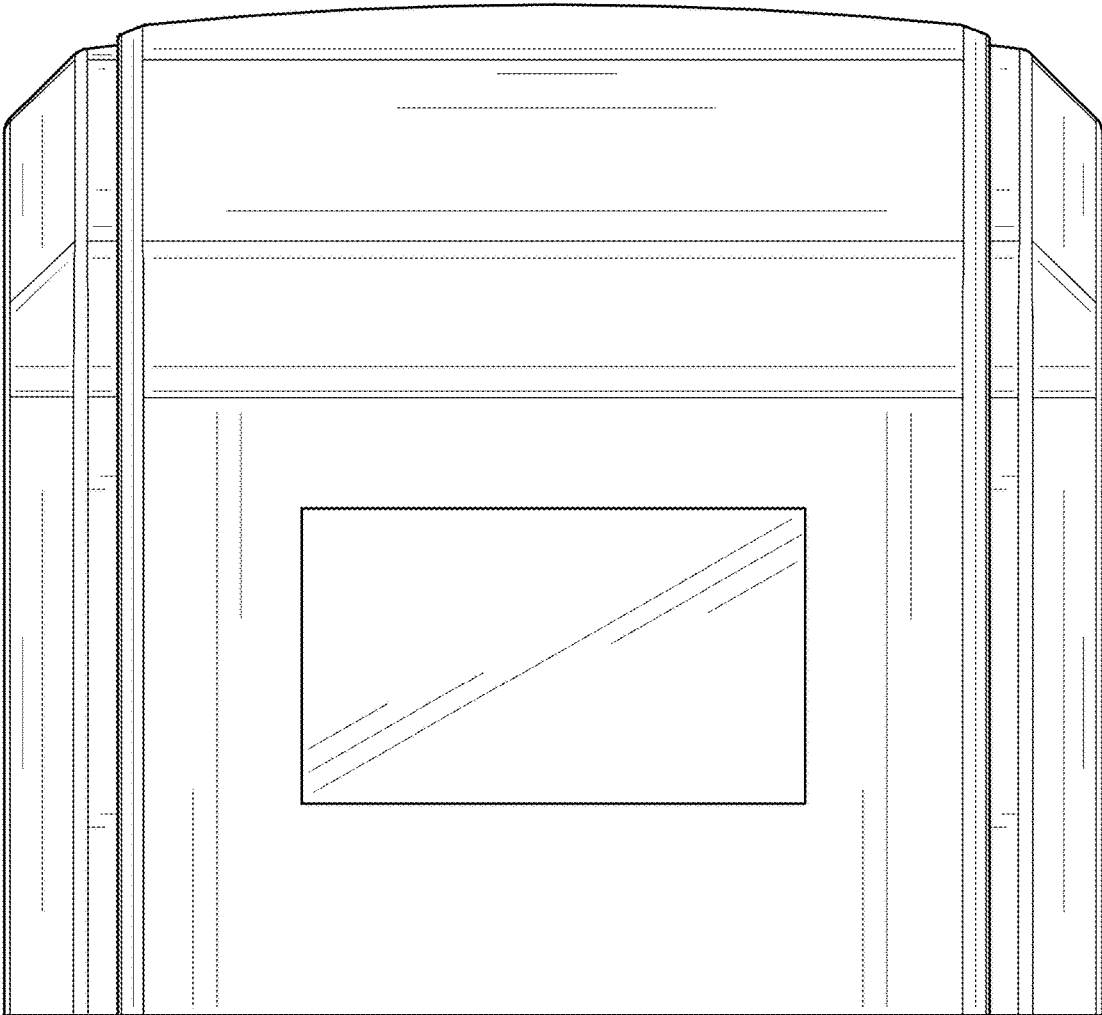


FIG. 2

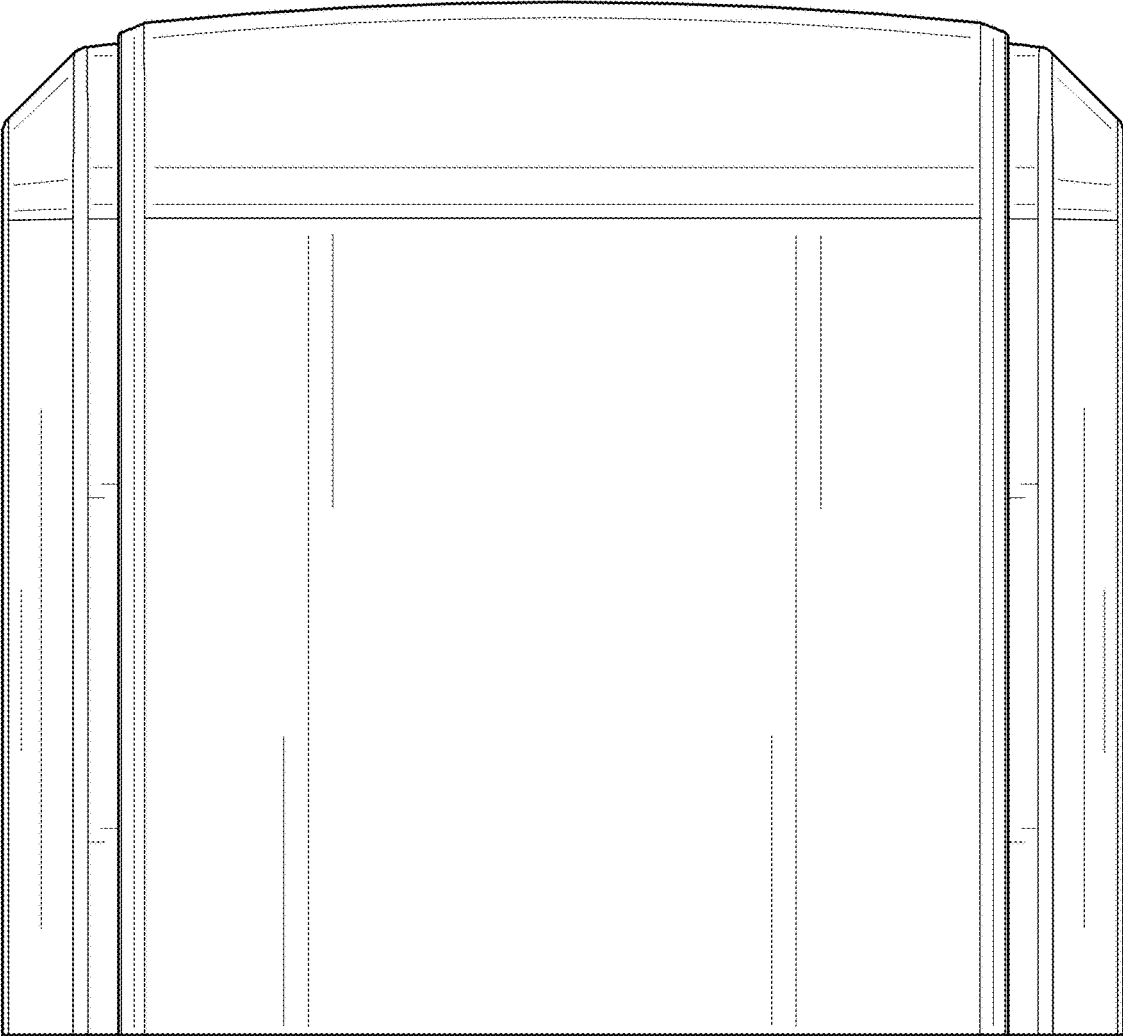


FIG. 3

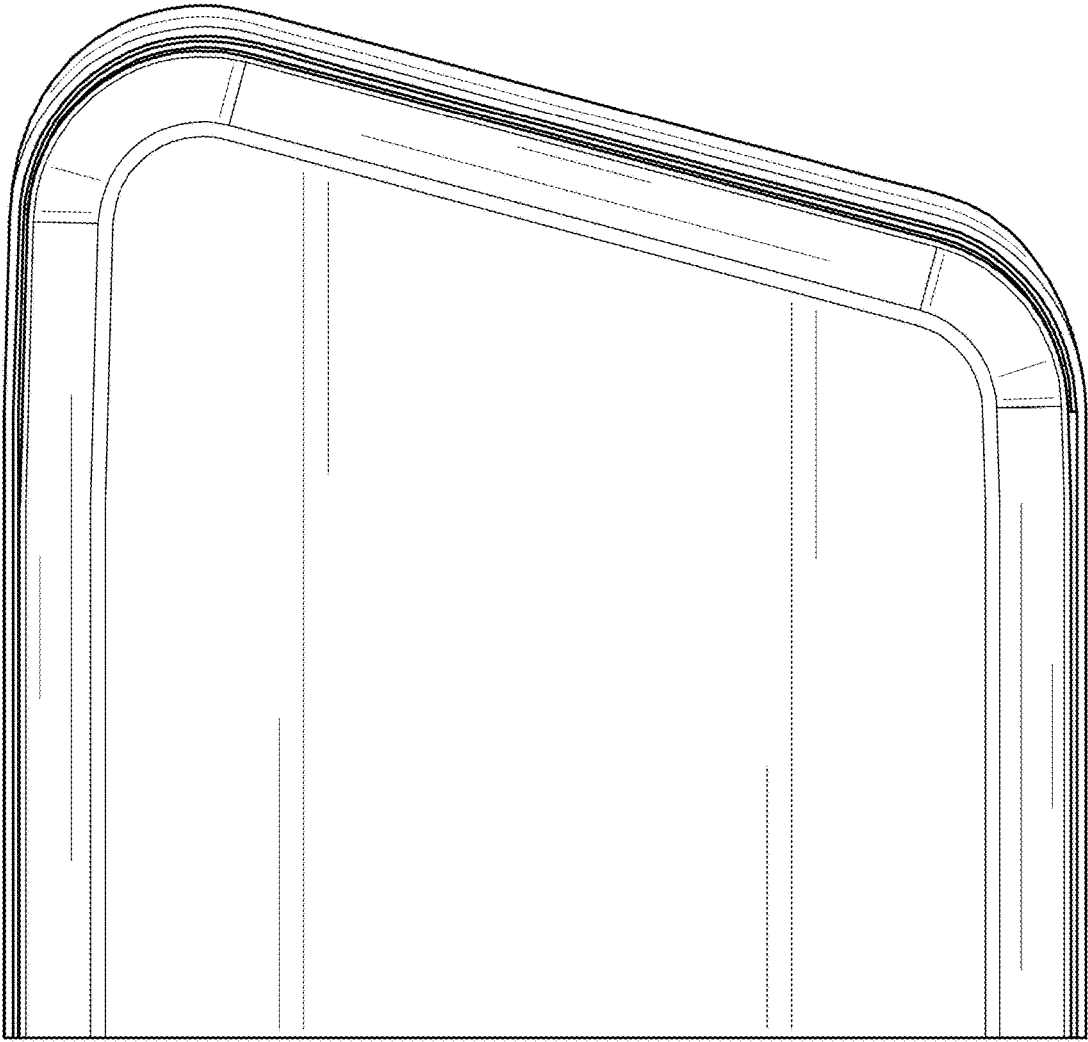


FIG. 4

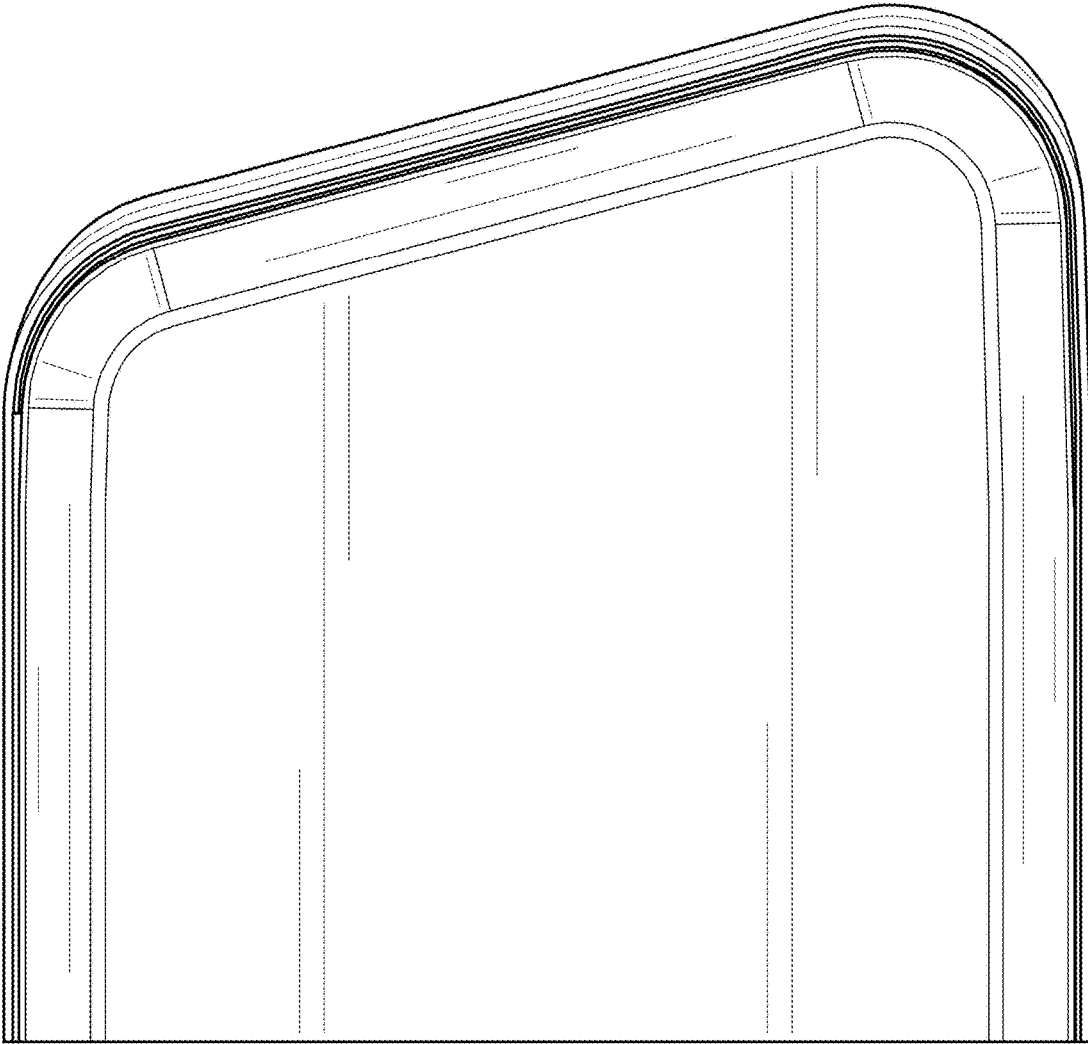


FIG. 5

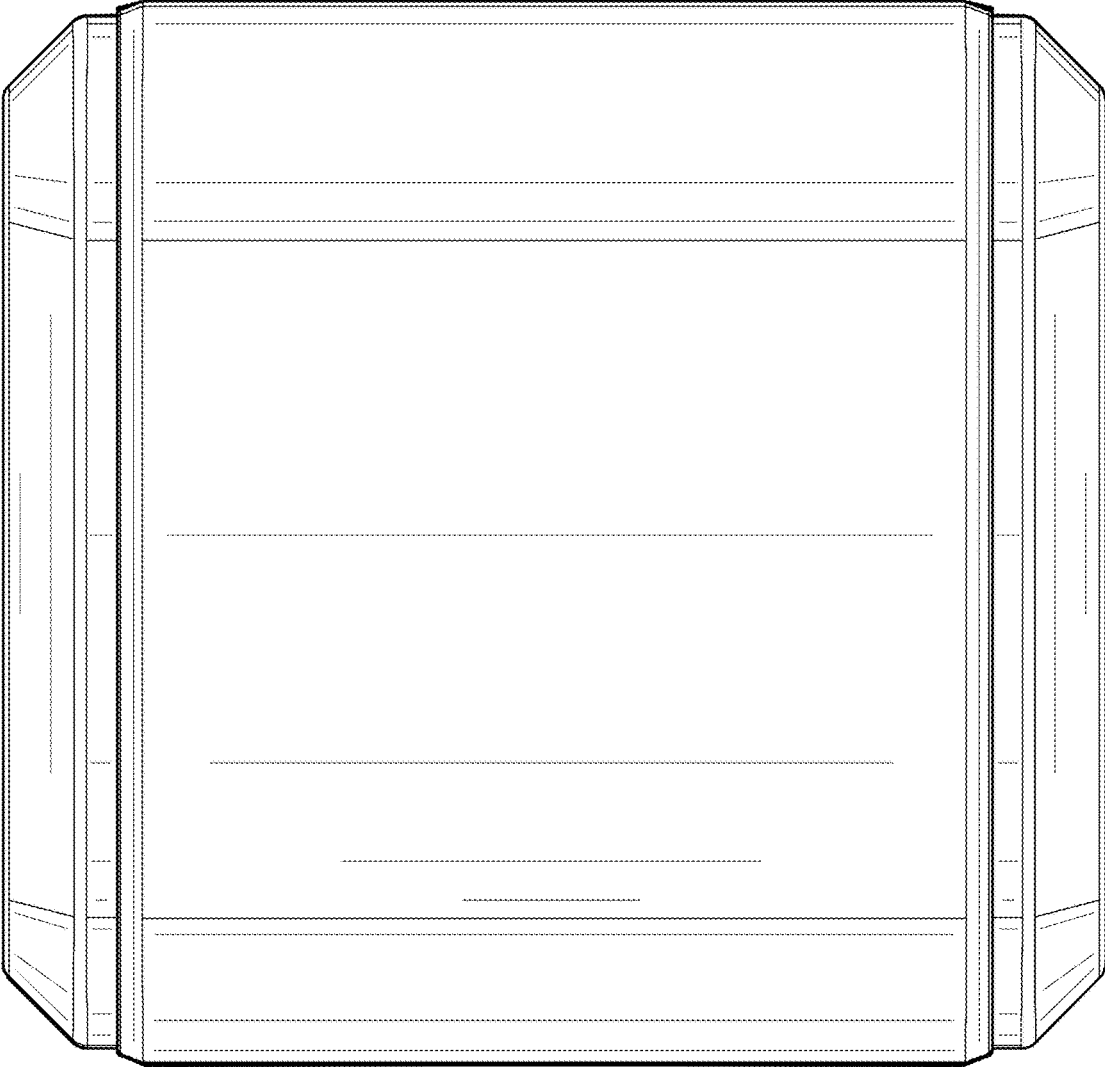


FIG. 6

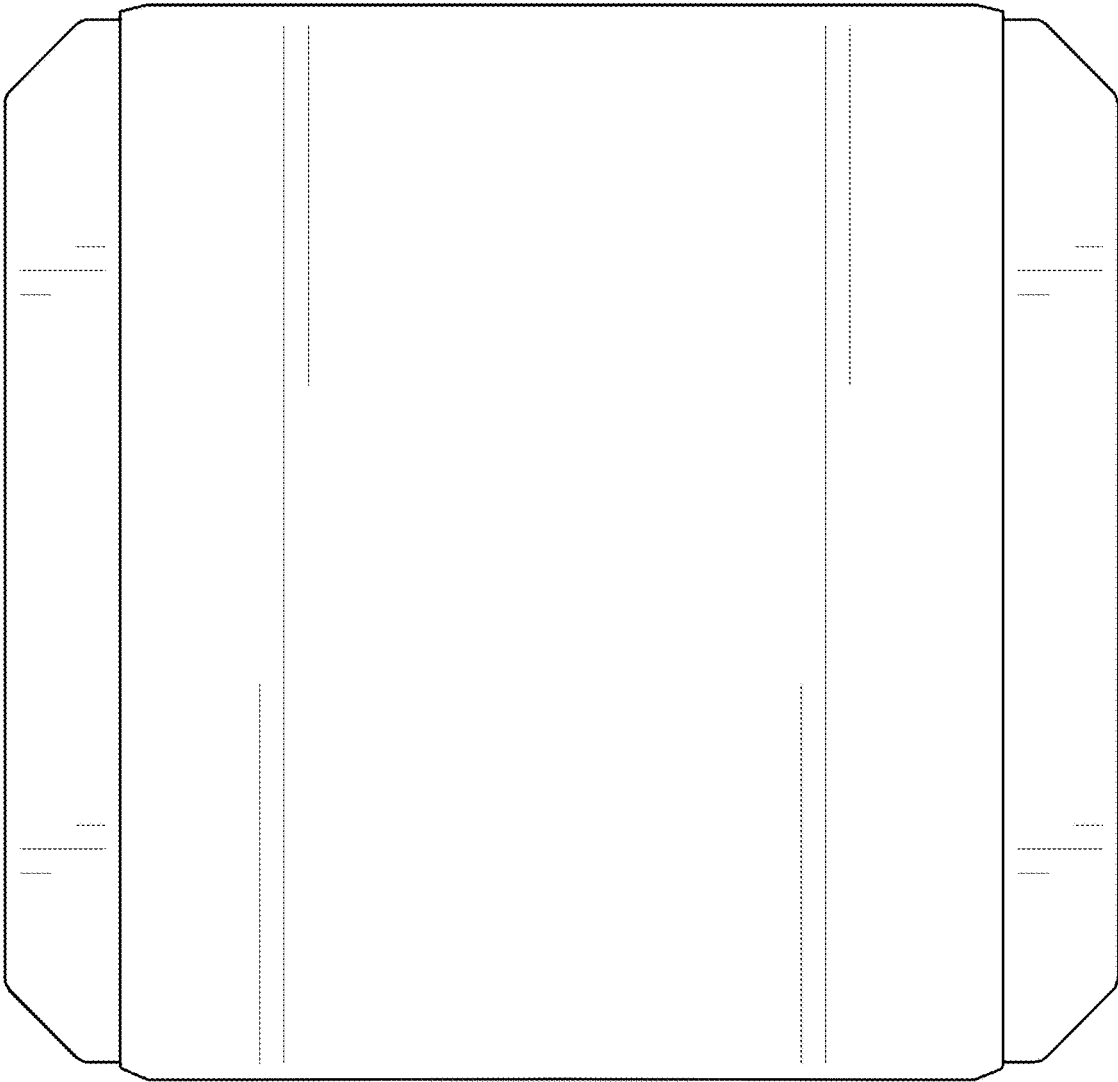


FIG. 7

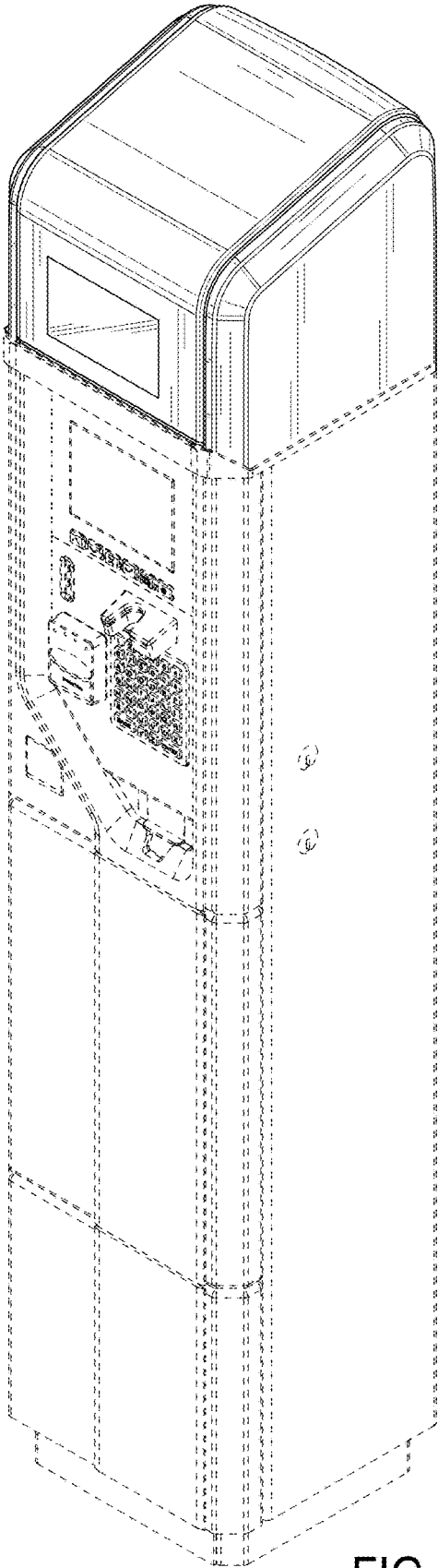


FIG. 8