



(12) **United States Design Patent**
King et al.

(10) **Patent No.:** **US D852,454 S**
(45) **Date of Patent:** **** Jun. 25, 2019**

(54) **PARKING PAY STATION VIDEO DISPLAY CAP**

(56) **References Cited**

U.S. PATENT DOCUMENTS

(71) Applicant: **IPS Group Inc.**, San Diego, CA (US)
(72) Inventors: **David William King**, Rancho Santa Fe, CA (US); **Alexander Schwarz**, San Diego, CA (US); **David Andrew Jones**, Beecroft (AU); **Choor Hong Tan**, Wentworth Point (AU)
(73) Assignee: **IPS GROUP INC.**, San Diego, CA (US)

D388,227	S	12/1997	Dallman	
D400,684	S	11/1998	Dallman	
5,903,520	A	5/1999	Dee et al.	
D423,181	S *	4/2000	Dallman	D99/28
D423,755	S *	4/2000	Ha	D14/902
D624,274	S *	9/2010	Pendleton	D6/707.2
D735,437	S *	7/2015	Randall	D99/28
D735,438	S *	7/2015	Randall	D99/28
D735,440	S *	7/2015	Randall	D99/28
D735,963	S *	8/2015	Randall	D99/28
D735,965	S *	8/2015	Randall	D99/28

(Continued)

(**) Term: **15 Years**

OTHER PUBLICATIONS

(21) Appl. No.: **29/602,240**

Co-pending U.S. Appl. No. 29/602,232, filed Apr. 28, 2017.
(Continued)

(22) Filed: **Apr. 28, 2017**

Primary Examiner — Elizabeth J Oswecki
(74) *Attorney, Agent, or Firm* — Wilson Sonsini Goodrich & Rosati

(51) **LOC (11) Cl.** **99-00**

(52) **U.S. Cl.**
USPC **D99/43**

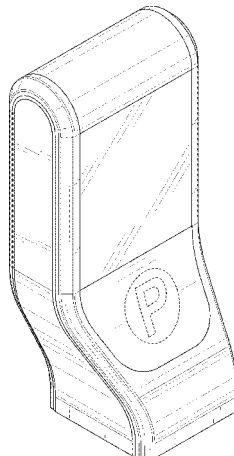
(58) **Field of Classification Search**
USPC D99/28, 34, 35, 36, 43, 99;
D14/300-302, 305, 307, 900-902, 496,
D14/125, 126, 239; D18/3.1-3.3,
D18/4.1-4.6, 12.1-12.3; D21/324, 325,
D21/329, 369, 370; 101/66; 109/1 R,
109/1 V, 2, 23, 24.1, 25, 58, 58.5, 66;
446/8-13; 705/16, 17, 18, 42, 43, 45;
235/51, 379, 380, 382
CPC .. G06Q 20/10; G06Q 20/108; G06Q 20/1085;
G06Q 20/18; G07D 1/00; G07D 1/02;
G07D 1/04; G07D 1/06; G07D 11/00;
G07D 9/002; G07D 9/04; G07F 19/20;
G07F 19/201; G07F 19/202; G07F
19/203; G07F 19/204; G07F 19/205;
G07F 19/21; G07F 19/00; G07F 7/04;
G07F 5/00; G07F 1/00; E05G 7/001;
E05G 1/006; A63H 33/00; A63G 33/005
See application file for complete search history.

(57) **CLAIM**

The ornamental design for a parking pay station video display cap, as shown and described.

DESCRIPTION

FIG. 1 is a top front perspective view of a parking pay station video display cap, showing our new design;
FIG. 2 is a front elevational view thereof;
FIG. 3 is a rear elevational view thereof;
FIG. 4 is a left side elevational view thereof;
FIG. 5 is a right side elevational view thereof;
FIG. 6 is a top plan view thereof;
FIG. 7 is a bottom plan view thereof; and,
(Continued)



FIGS. 8A and 8B are a top front perspective view thereof, shown in a used condition mounted on a parking pay station shown in broken lines.

1 Claim, 9 Drawing Sheets

(56)

References Cited

U.S. PATENT DOCUMENTS

D746,015 S * 12/2015 King D99/28
 D748,364 S * 1/2016 King D99/28
 D748,888 S * 2/2016 King D99/28
 D762,040 S * 7/2016 King D99/28
 D779,771 S * 2/2017 King D99/28
 D779,772 S * 2/2017 King D99/28
 D779,773 S * 2/2017 King D99/28
 D779,774 S * 2/2017 King D99/28
 D781,024 S * 3/2017 King D99/28
 D795,523 S * 8/2017 King D99/28

D802,874 S * 11/2017 King D99/28
 D802,875 S * 11/2017 King D99/28
 D802,876 S * 11/2017 King D99/28
 D802,877 S * 11/2017 King D99/28
 D802,878 S * 11/2017 King D99/28
 D813,059 S * 3/2018 MacKay D10/42
 2007/0276724 A1* 11/2007 Catt G07B 15/00
 705/13
 2015/0371483 A1* 12/2015 Sun G07F 1/046
 194/347
 2017/0034600 A1 2/2017 King et al.
 2017/0083043 A1 3/2017 Bowers et al.
 2018/0322534 A1 11/2018 King et al.

OTHER PUBLICATIONS

Co-pending U.S. Appl. No. 29/602,237, filed Apr. 28, 2017.
 Co-pending U.S. Appl. No. 29/602,239, filed Apr. 28, 2017.
 Co-pending U.S. Appl. No. 29/602,241, filed Apr. 28, 2017.
 Co-pending U.S. Appl. No. 29/602,934, filed May 4, 2017.

* cited by examiner

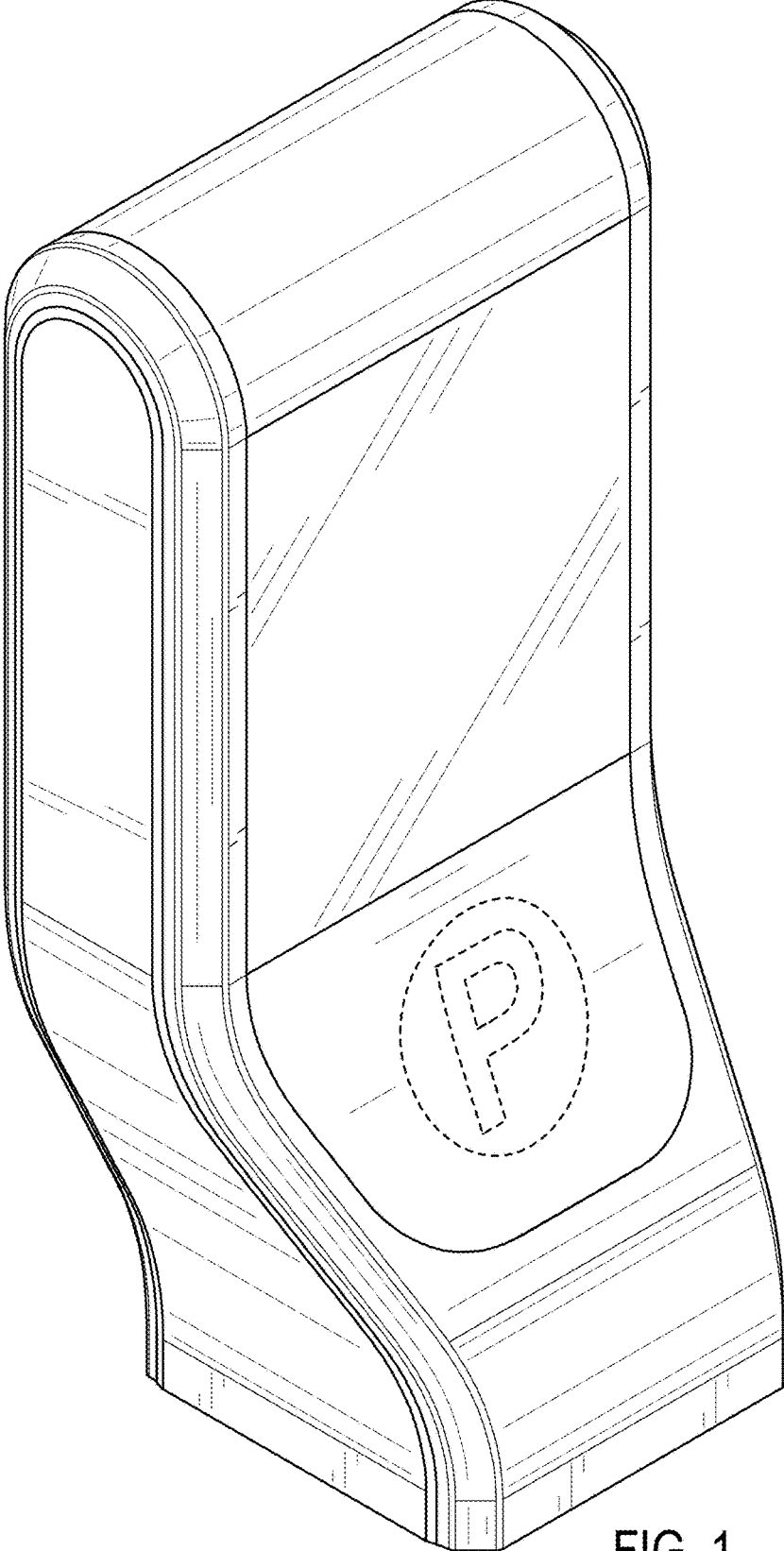


FIG. 1

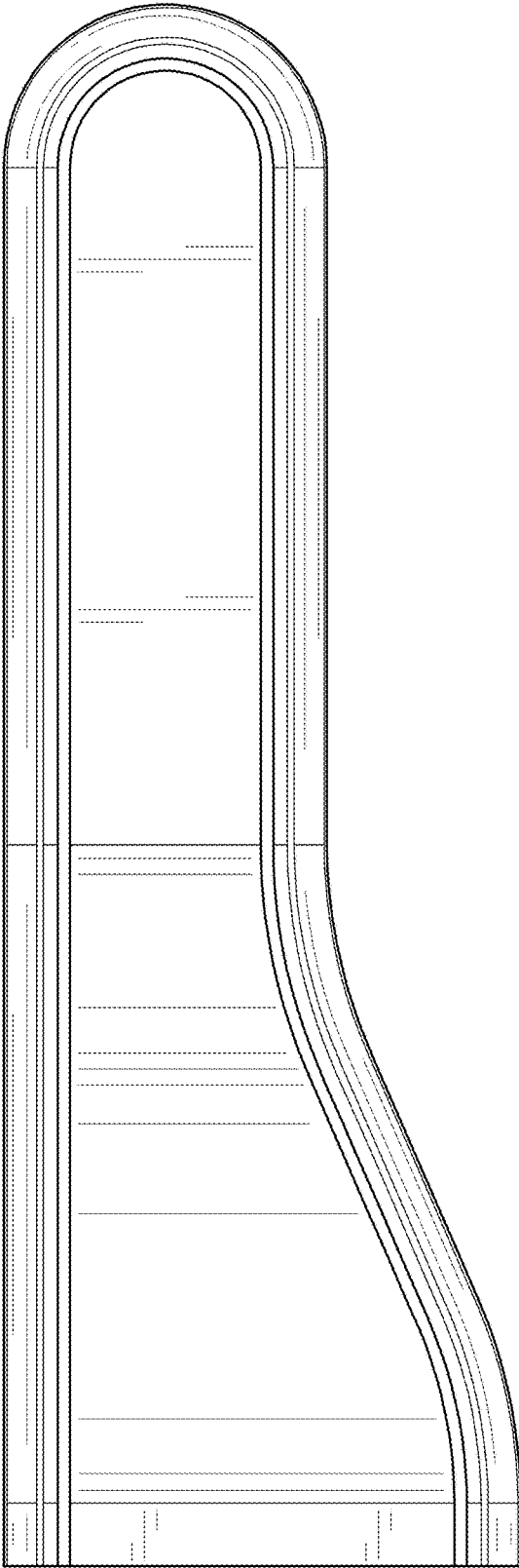


FIG. 2

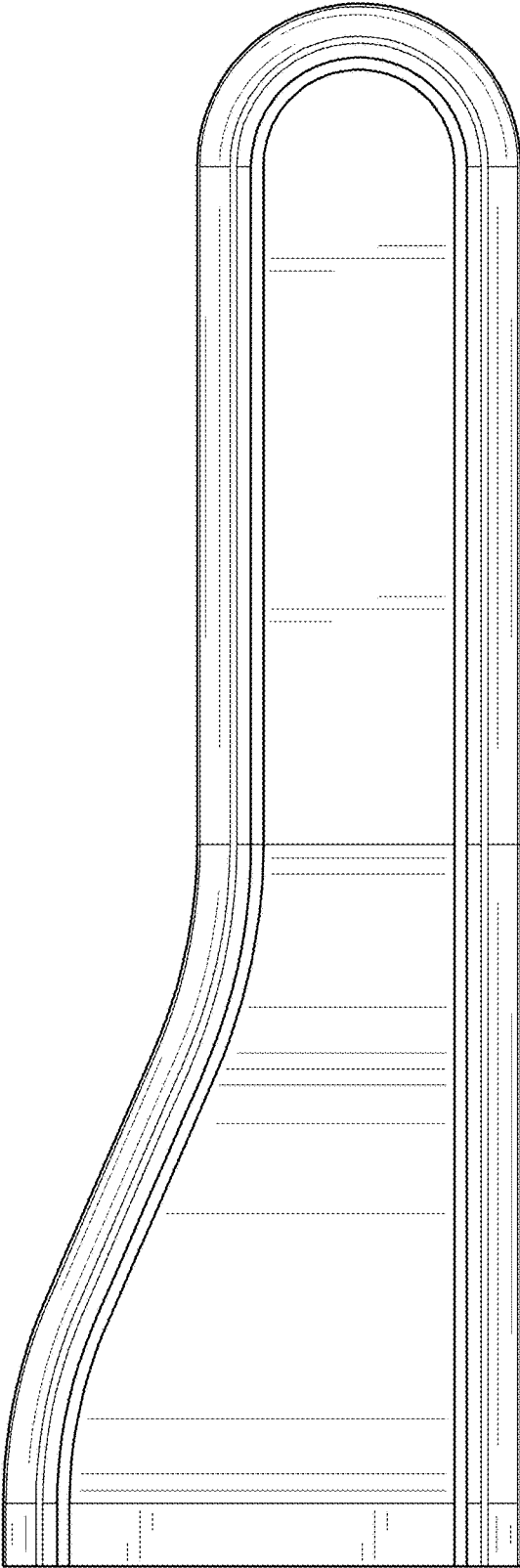


FIG. 3

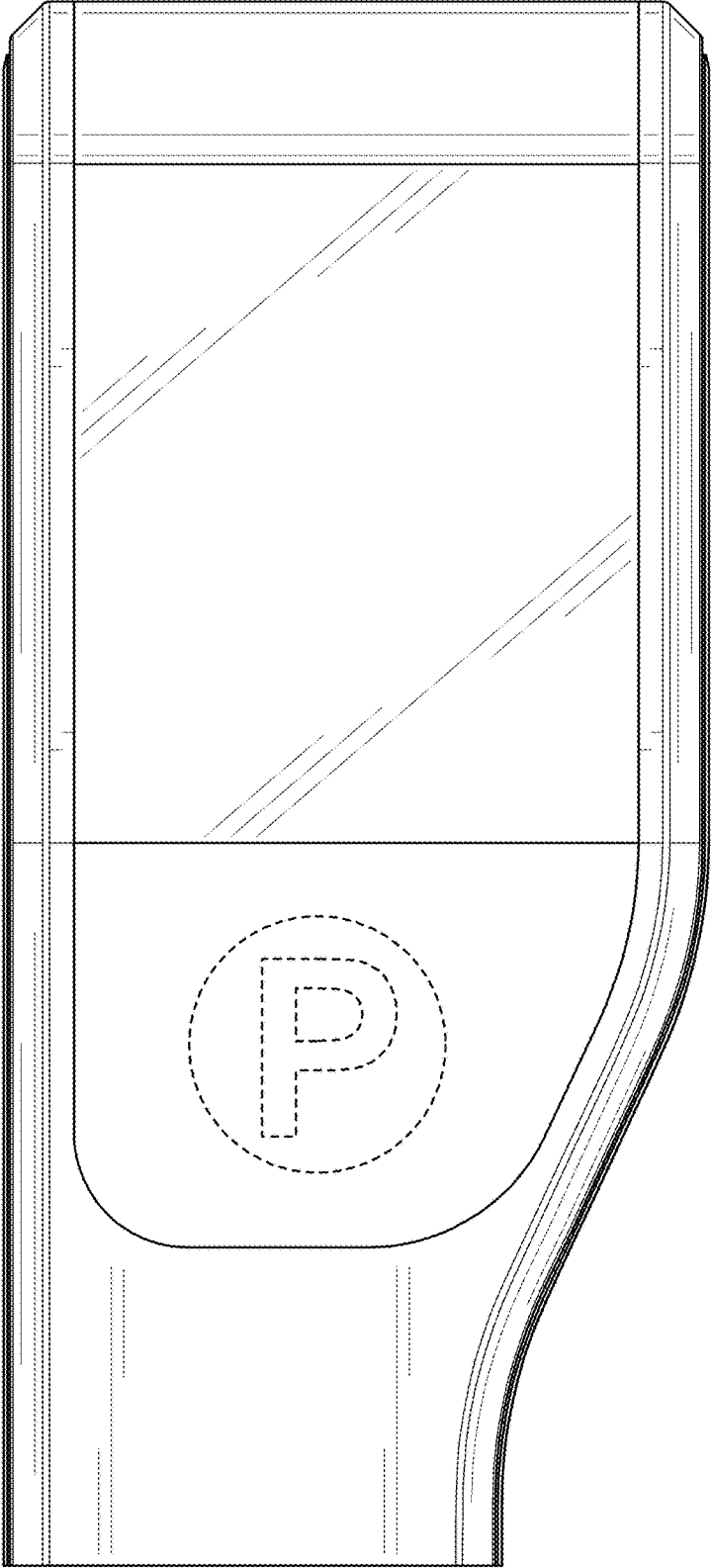


FIG. 4

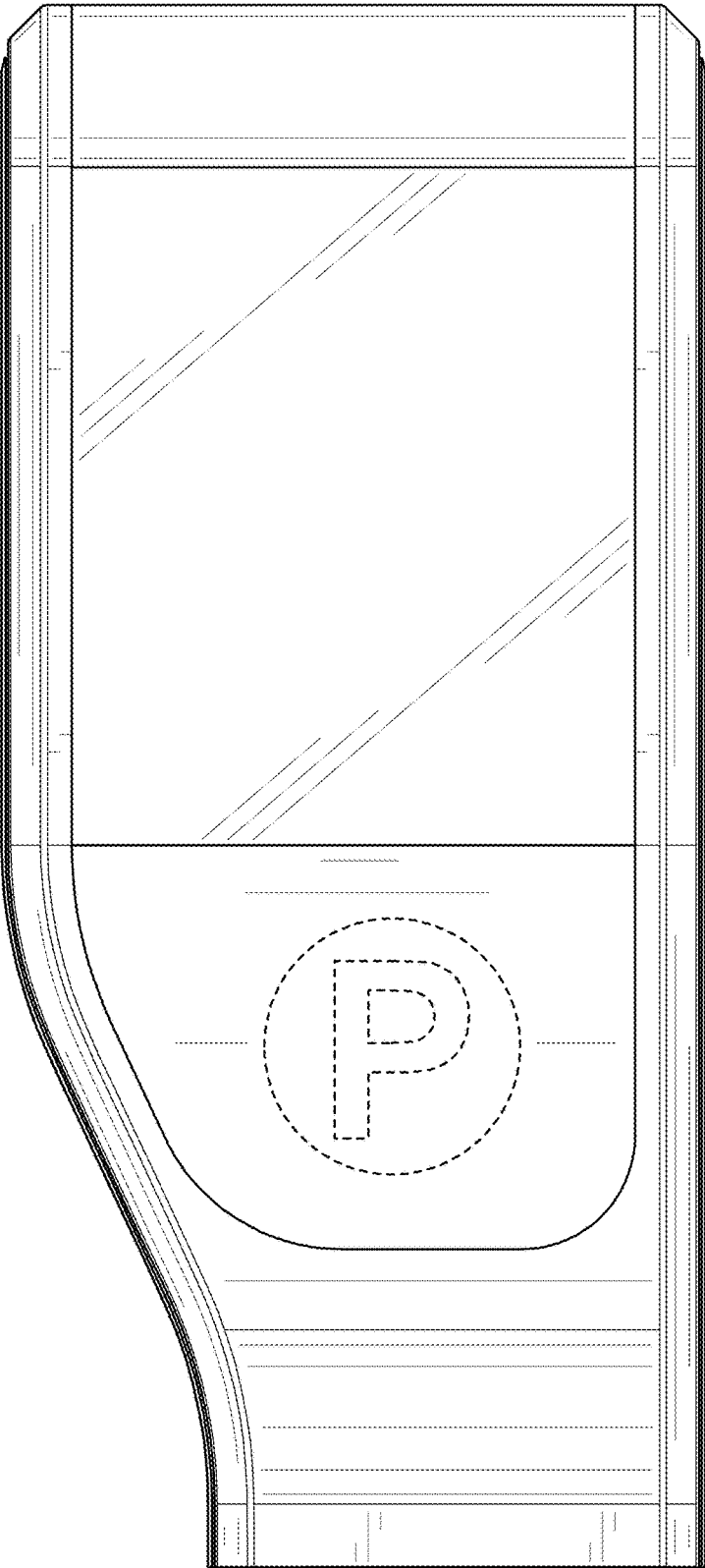


FIG. 5

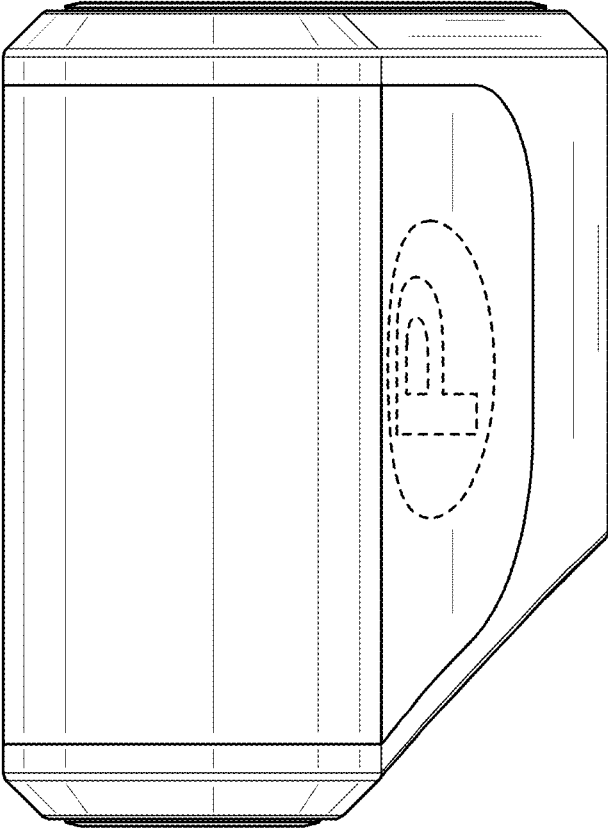


FIG. 6

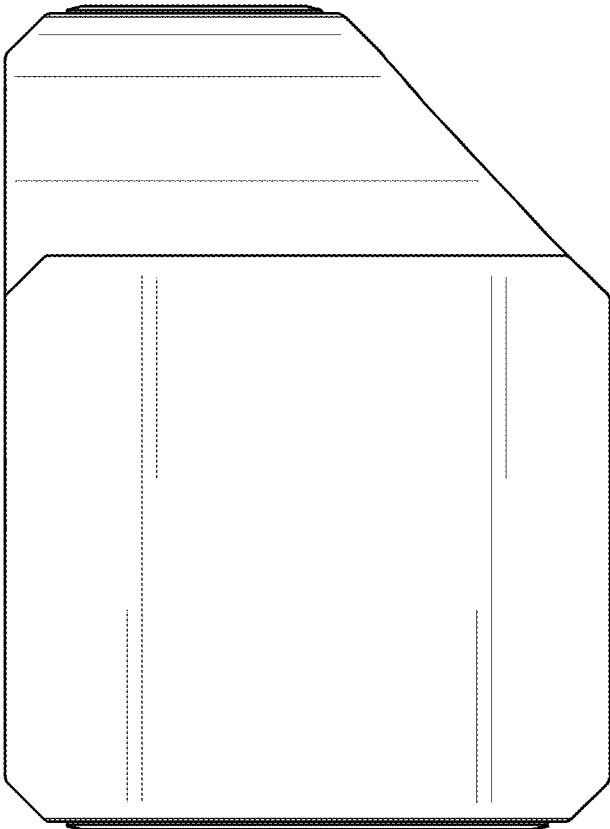


FIG. 7

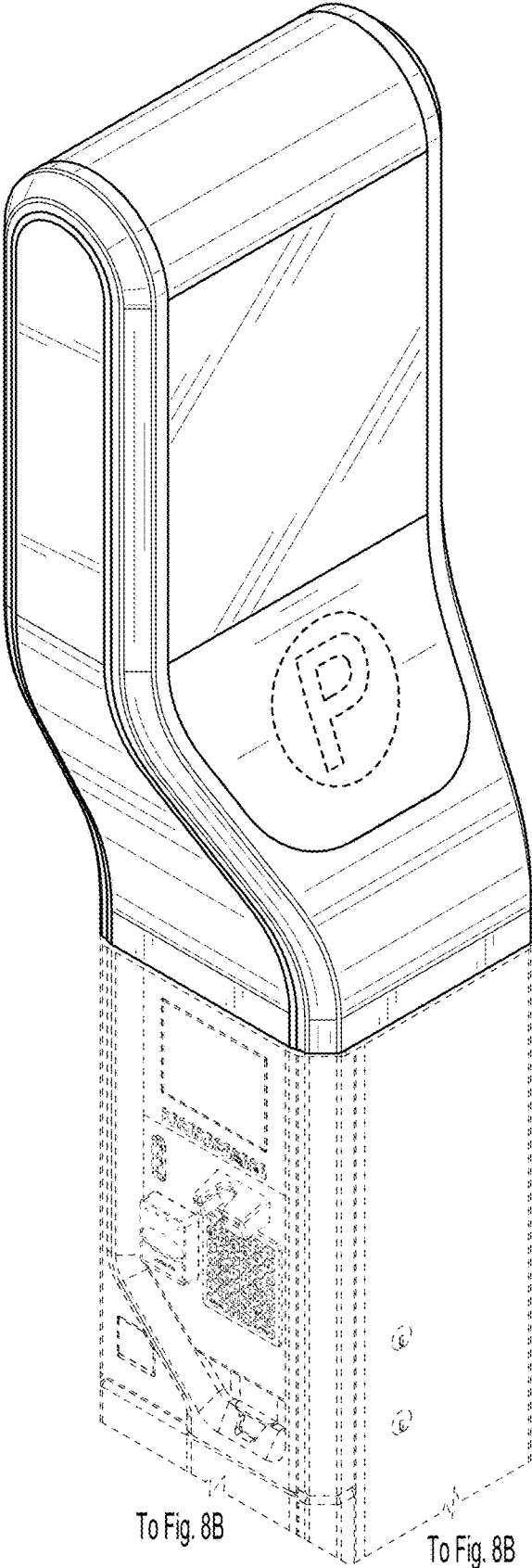


FIG. 8A

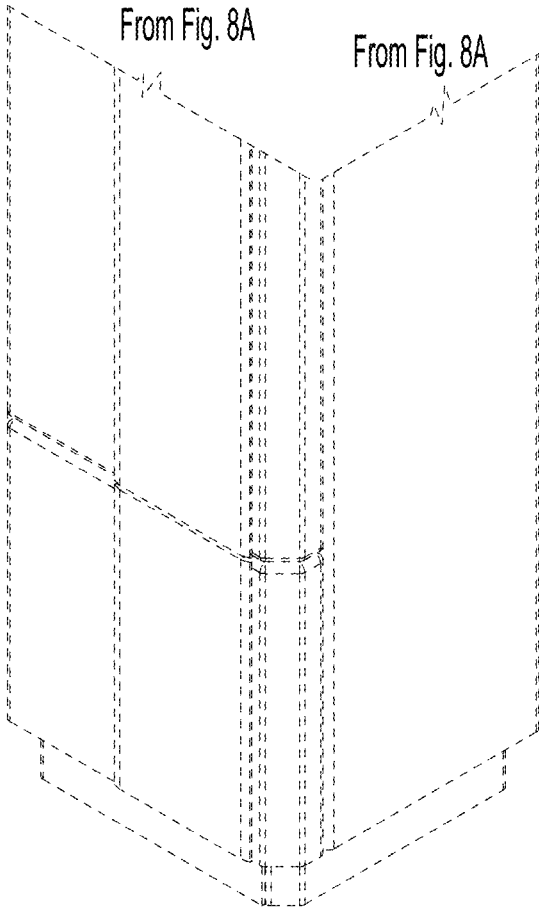


FIG. 8B