



(12) **United States Design Patent**
King et al.

(10) **Patent No.:** **US D802,875 S**
(45) **Date of Patent:** **** Nov. 14, 2017**

(54) **MULTISPACE PARKING PAY STATION**

7/00; E05G 7/001; E05G 2700/00; E05G
2700/02

(71) Applicant: **IPS GROUP INC.**, San Diego, CA
(US)

See application file for complete search history.

(72) Inventors: **David William King**, Rancho Santa Fe,
CA (US); **David Andrew Jones**,
Beecroft (AU); **Choor-Hong Tan**,
Wentworth Point (AU)

(56)

References Cited

U.S. PATENT DOCUMENTS

(73) Assignee: **IPS GROUP INC.**, San Diego, CA
(US)

D161,888	S	*	2/1951	Wilken	D10/42
D246,917	S	*	1/1978	Sauter	D21/325
D278,689	S		5/1985	Jupe		
4,615,280	A	*	10/1986	Shoop	G07F 19/205 106/644
5,065,156	A		11/1991	Bernier		
D331,996	S	*	12/1992	Fukutake	D99/28
D336,860	S		6/1993	Clough		
D342,209	S		12/1993	Clough		
D354,047	S	*	1/1995	Leggate	D10/109.1
D360,734	S		7/1995	Hall		
D360,737	S	*	7/1995	Helbig, Jr.	D99/28
D375,607	S		11/1996	Hall		
D396,655	S		8/1998	Anderson		
D412,289	S		7/1999	Winwood		
D430,045	S	*	8/2000	Muro	D10/43
D431,788	S	*	10/2000	Tuxen	D10/42
6,230,868	B1		5/2001	Tuxen et al.		
6,275,169	B1		8/2001	Krygler et al.		
D447,519	S	*	9/2001	Pinchuk	D21/324
D448,910	S		10/2001	Kit		
D450,253	S		11/2001	Marguet		
D454,421	S		3/2002	Jeon		
D460,005	S		7/2002	Jacquet		
6,505,774	B1		1/2003	Fulcher et al.		
D472,362	S		3/2003	Zerman et al.		
6,527,172	B1		3/2003	Lewis et al.		
D481,516	S		10/2003	Magee		
D485,417	S		1/2004	Magee		
D488,280	S		4/2004	Zerman		
D492,080	S		6/2004	Magee		
D492,081	S		6/2004	Magee		
D494,730	S		8/2004	Magee		
D497,814	S		11/2004	Dinotski et al.		
D505,240	S		5/2005	Swaine et al.		
D510,751	S		10/2005	Magee et al.		
7,004,385	B1		2/2006	Douglass		
7,019,670	B2		3/2006	Bahar		
7,028,888	B2		4/2006	Laskowski et al.		
7,040,534	B2		5/2006	Turocy et al.		
7,131,576	B2		11/2006	Utz et al.		
D538,505	S		3/2007	Kang		
7,222,782	B2		5/2007	Lute, Jr. et al.		
7,284,692	B1		10/2007	Douglass		

(**) Term: **15 Years**

(21) Appl. No.: **29/567,862**

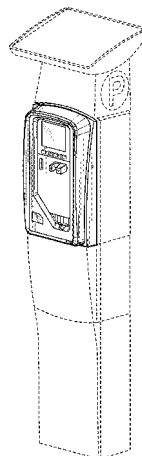
(22) Filed: **Jun. 13, 2016**

(51) **LOC (10) CL.** **06-04**

(52) **U.S. CL.**
USPC **D99/28**

(58) **Field of Classification Search**

USPC D10/40, 41, 42, 43, 44, 45; D99/28, 29,
D99/30, 34, 38, 35, 36, 43, 992;
D14/300, 301, 302, 305, 307, 900, 901,
D14/902; D21/324, 325, 329, 369, 370
CPC ... G07B 5/02; G07B 5/04; G07B 5/06; G07B
11/02; G07B 11/03; G07B 15/02; G07B
1/00; G07B 1/02; G07B 3/00; G07B
3/02; G07B 3/04; G07B 5/00; G07C
1/30; G07F 17/00; G07F 17/24; G07F
17/242; G07F 17/248; G07F 19/20; G07F
19/201; G07F 19/202; G07F 19/203;
G07F 19/204; G07F 19/205; E05B
65/0075; E05G 1/00; E05G 1/005; E05G
1/02; E05G 1/024; E05G 5/00; E05G
5/003; E05G 5/006; E05G 5/02; E05G



7,347,368	B1 *	3/2008	Gravelle	G06Q 20/20 235/380
D570,920	S	6/2008	Choi	
7,419,091	B1	9/2008	Scanlon	
D579,795	S	11/2008	Martinez et al.	
7,445,144	B2	11/2008	Schlabach et al.	
D582,125	S	12/2008	Kang et al.	
7,533,802	B1	5/2009	McGinley et al.	
D596,374	S	7/2009	Kang	
7,611,045	B1 *	11/2009	Lute	G06Q 20/10 235/379
7,624,919	B2	12/2009	Meek et al.	
7,699,224	B2	4/2010	Mole	
D625,305	S	10/2010	Bleck	
D629,585	S	12/2010	Bleck et al.	
D632,740	S	2/2011	Adeline	
7,891,546	B1	2/2011	Steinbach et al.	
D645,223	S	9/2011	Bleck	
D652,872	S	1/2012	Mougin et al.	
D653,014	S	1/2012	Rohan	
D653,420	S	1/2012	Rohan	
D653,421	S	1/2012	Rohan	
D653,424	S	1/2012	Rohan	
D672,525	S	12/2012	Lee et al.	
D674,985	S *	1/2013	Lee	D14/900
D677,035	S	2/2013	Lee	
D677,714	S	3/2013	Helgesson et al.	
D680,156	S	4/2013	Hernandez et al.	
D681,717	S	5/2013	Helgesson et al.	
D684,745	S	6/2013	Reuter	
D691,165	S	10/2013	Attoma	
D693,983	S	11/2013	Budde et al.	
8,573,484	B1 *	11/2013	Irudayam	G07F 19/201 235/375
D696,484	S	12/2013	Lee	
D696,485	S	12/2013	Lee	
D702,913	S	4/2014	Budde	
D702,914	S	4/2014	Budde	
D716,515	S	10/2014	Cha	
D722,740	S	2/2015	Budde	
D724,290	S	3/2015	Cha et al.	
D724,811	S	3/2015	Reitinger	
D724,812	S	3/2015	Cha et al.	
D728,190	S	4/2015	Sheley	
D735,437	S *	7/2015	Randall	D99/28
D735,438	S	7/2015	Randall	
D735,439	S	7/2015	Randall	
D735,440	S	7/2015	Randall	
D735,963	S	8/2015	Randall	
D735,964	S	8/2015	Randall	
D735,965	S	8/2015	Randall	
D739,637	S *	9/2015	Randall	D99/28
D739,638	S	9/2015	Randall	
D739,639	S	9/2015	Randall	
D742,090	S	10/2015	Randall	
D746,015	S *	12/2015	King	D99/28
D748,364	S *	1/2016	King	D99/28
D748,888	S *	2/2016	King	D99/28
D755,649	S	5/2016	King et al.	
D762,040	S *	7/2016	King	D99/28
D769,570	S *	10/2016	Kraft	D99/28
D769,571	S *	10/2016	Lee	D99/28
D769,572	S *	10/2016	Park	D99/28
D779,772	S *	2/2017	King	D99/28
D779,774	S *	2/2017	King	D99/28
2004/0016796	A1	1/2004	Hanna et al.	
2004/0243526	A1	12/2004	Krygler et al.	
2004/0262379	A1	12/2004	Gomes et al.	
2005/0029340	A1	2/2005	Ferraro	
2006/0152385	A1	7/2006	Mandy	
2007/0046651	A1	3/2007	Sinclair et al.	
2007/0276724	A1 *	11/2007	Catt	G07B 15/00 705/13
2008/0257965	A1	10/2008	Klein et al.	
2008/0265019	A1	10/2008	Artino et al.	

2008/0296365	A1	12/2008	Schliebe	
2009/0057398	A1	3/2009	Douglass et al.	
2010/0161489	A1	6/2010	Goodall et al.	
2010/0187300	A1	7/2010	Ramachandran et al.	
2010/0241564	A1	9/2010	Miller et al.	
2010/0243729	A1	9/2010	Russell et al.	
2011/0133613	A1	6/2011	Descamps et al.	
2012/0286036	A1	11/2012	Jones et al.	
2014/0165885	A1 *	6/2014	Denny	E05G 1/024 109/50

FOREIGN PATENT DOCUMENTS

AT	507762	A1 *	7/2010	G07F 19/20
CA	2517717	A1 *	9/2004	G06Q 20/18
CH	WO 03065322	A1 *	8/2003	G07B 15/02
EP	1227448	A2 *	7/2002	G07D 11/0009
FR	WO 02084600	A1 *	10/2002	G06Q 20/127
FR	2928678	A1 *	9/2009	E05B 47/0692
FR	2979726	A1 *	3/2013	G07F 19/20
JP	3441832	B2 *	9/2003	G07B 1/00
JP	4247079	B2 *	4/2009	G07B 5/00
JP	5238316	B2 *	7/2013	G07B 15/00
KR	WO 2010062105	A2 *	6/2010	G07F 19/201
WO	WO 2014127384	A1 *	8/2014	G07F 19/205

OTHER PUBLICATIONS

Co-pending U.S. Appl. No. 29/567,861, filed Jun. 13, 2016.
 Co-pending U.S. Appl. No. 29/567,866, filed Jun. 13, 2016.
 Co-pending U.S. Appl. No. 29/567,867, filed Jun. 13, 2016.
 Co-pending U.S. Appl. No. 29/567,869, filed Jun. 13, 2016.
 Co-pending U.S. Appl. No. 29/567,865, filed Jun. 13, 2016.
 U.S. Appl. No. 29/477,176 Office Action dated May 4, 2015.
 U.S. Appl. No. 29/477,200 Office Action dated Apr. 9, 2015.
 U.S. Appl. No. 29/477,201 Office Action dated Apr. 9, 2015.
 U.S. Appl. No. 29/477,204 Office Action dated Apr. 9, 2015.
 U.S. Appl. No. 29/477,321 Office Action dated May 15, 2015.
 U.S. Appl. No. 29/477,324 Office Action dated Apr. 23, 2015.
 U.S. Appl. No. 29/477,329 Office Action dated May 22, 2015.
 U.S. Appl. No. 29/477,402 Office Action dated Apr. 9, 2015.

* cited by examiner

Primary Examiner — Sheryl Lane

Assistant Examiner — Samantha N Wood

(74) Attorney, Agent, or Firm — Wilson Sonsini Goodrich & Rosati

(57)

CLAIM

The ornamental design for a multispace parking pay station, as shown and described.

DESCRIPTION

FIG. 1 is a front elevational view of a multispace parking pay station, showing our new design;
 FIG. 2 is a right side elevational view thereof;
 FIG. 3 is a left side elevational view thereof;
 FIG. 4 is a rear elevational view thereof;
 FIG. 5 is a top plan view thereof;
 FIG. 6 is a bottom plan view thereof; and,
 FIG. 7 is a top front perspective view thereof.
 The broken lines shown in the drawings represent portions of the multispace parking pay station that form no part of the claimed design.

1 Claim, 5 Drawing Sheets

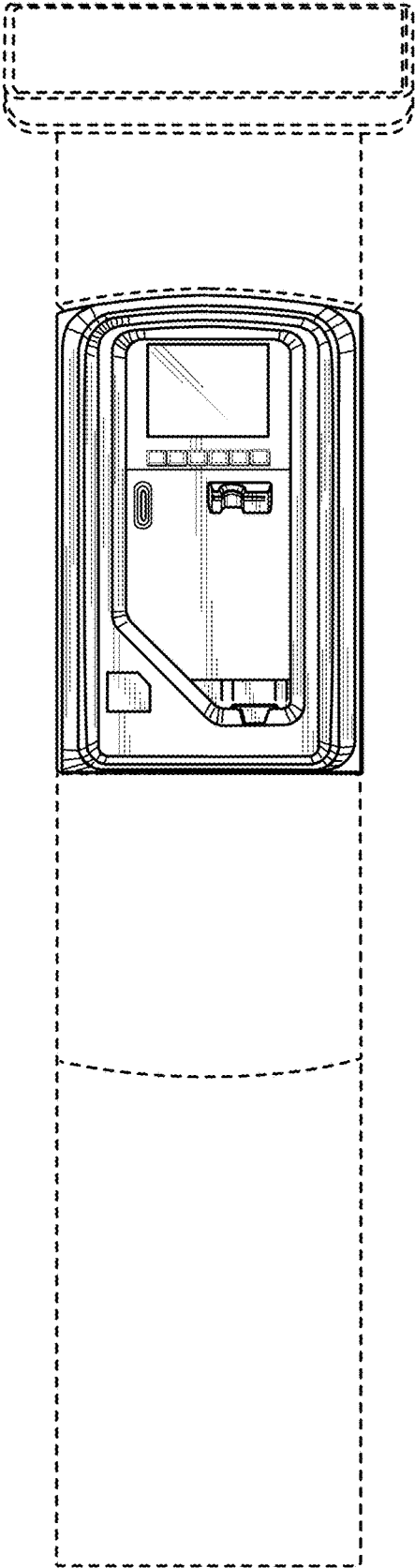


FIG. 1

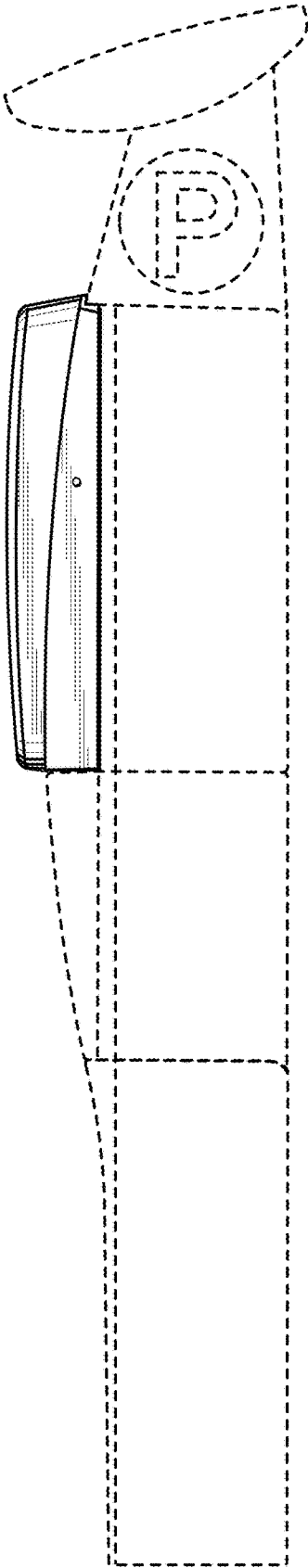


FIG. 2

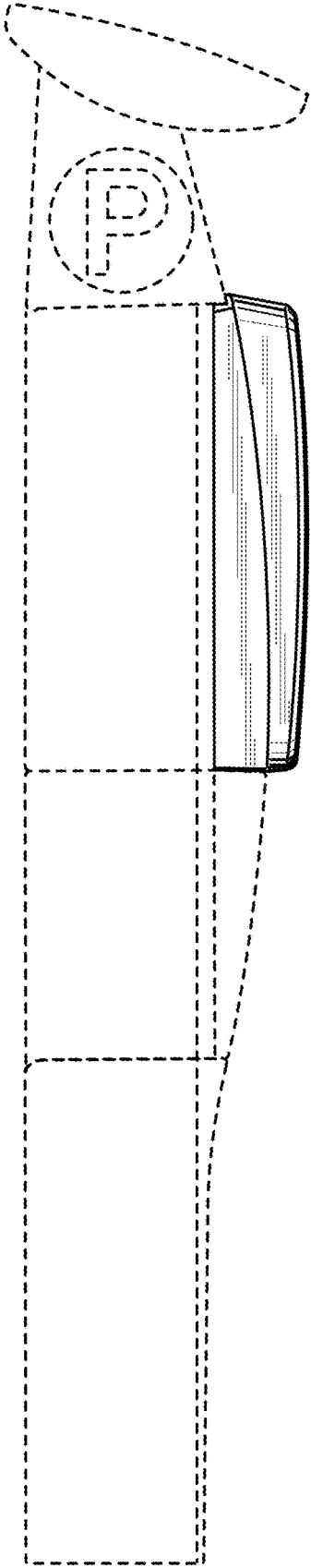


FIG. 3

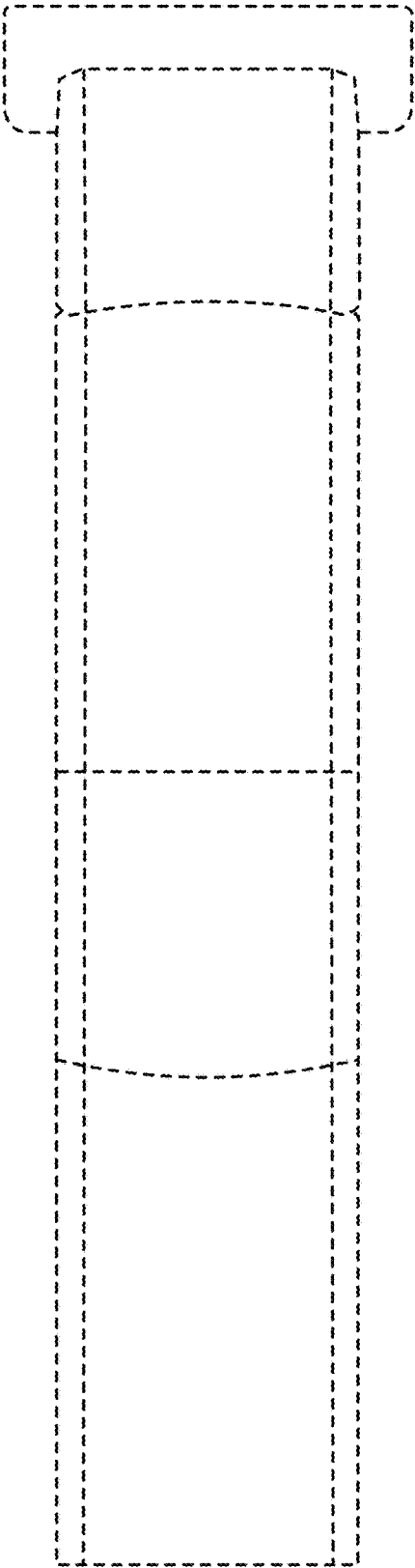


FIG. 4



FIG. 5

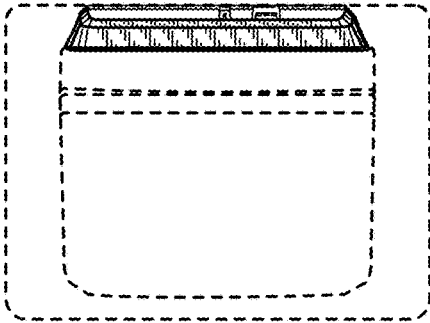


FIG. 6

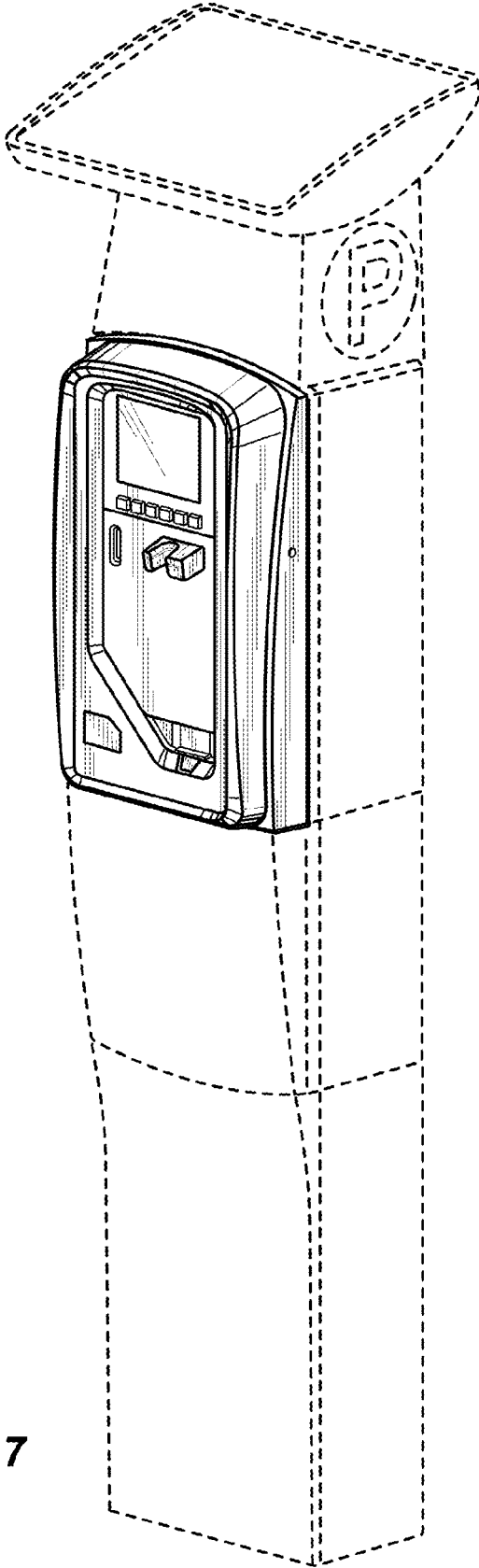


FIG. 7