



(12) **United States Design Patent**  
**King et al.**

(10) **Patent No.:** **US D755,650 S**  
(45) **Date of Patent:** **\*\* May 10, 2016**

- (54) **PARKING METER**
- (71) Applicant: **IPS Group, Inc.**, San Diego, CA (US)
- (72) Inventors: **David William King**, Rancho Santa Fe, CA (US); **Alexander Schwarz**, San Diego, CA (US); **Stephen John Hunter**, Randpark Extension (ZA)
- (73) Assignee: **IPS GROUP INC.**, San Diego, CA (US)
- (\*\*) Term: **14 Years**
- (21) Appl. No.: **29/489,838**
- (22) Filed: **May 2, 2014**

D181,359 S	11/1957	Jones	
2,822,682 A *	2/1958	Sollenberger .....	G07F 17/248 220/324
D189,106 S	10/1960	Leiderman	
D199,270 S	9/1964	Michales	
D200,216 S	2/1965	Broussard	
3,486,324 A	12/1969	Anderson	
4,031,991 A	6/1977	Malott	
D319,077 S	8/1991	Arato et al.	
5,155,614 A	10/1992	Carmen et al.	
5,563,491 A	10/1996	Tseng	
5,617,942 A	4/1997	Ward, II et al.	
D388,231 S	12/1997	Magee et al.	
5,732,812 A	3/1998	Grainger et al.	
D393,212 S	4/1998	Lucas	
5,805,083 A	9/1998	Sutton et al.	
5,841,369 A	11/1998	Sutton et al.	
5,852,411 A *	12/1998	Jacobs .....	G07F 17/248 194/200
D412,289 S	7/1999	Winwood	
5,966,345 A	10/1999	Dee et al.	

**Related U.S. Application Data**

- (63) Continuation-in-part of application No. 29/437,129, filed on Nov. 13, 2012, now Pat. No. Des. 707,141.
- (51) **LOC (10) Cl.** ..... **10-03**
- (52) **U.S. Cl.**  
USPC ..... **D10/42**
- (58) **Field of Classification Search**  
USPC ..... D10/42, 40, 41; D20/2, 6, 8, 9; D99/28, D99/29, 34, 43  
CPC ..... G07F 17/00; G07F 17/24; G07F 27/246; G07F 17/248; G01C 1/30; G07B 15/02; G06Q 20/127  
See application file for complete search history.

**References Cited**

**U.S. PATENT DOCUMENTS**

D98,810 S	3/1936	Magee
D107,577 S	12/1937	McGay et al.
D116,805 S	9/1939	Reznek
2,229,183 A	1/1941	Mitchell
D162,698 S	3/1951	Teague
D166,059 S	2/1952	Yoss
D166,753 S	5/1952	Jones
2,596,124 A	5/1952	Broussard

(Continued)

*Primary Examiner* — Martie K Holtje

(74) *Attorney, Agent, or Firm* — Wilson Sonsini Goodrich & Rosati

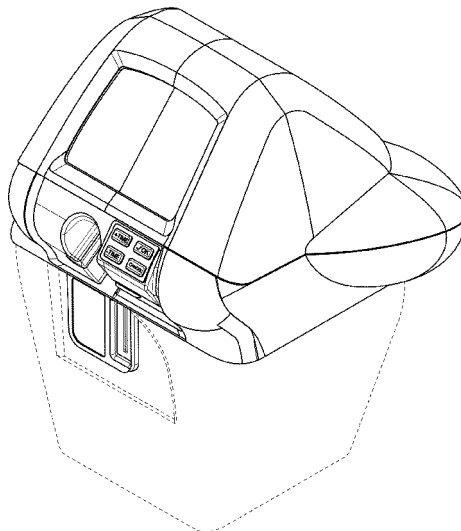
(57) **CLAIM**

The ornamental design for a parking meter, as shown and described.

**DESCRIPTION**

FIG. 1 is a perspective view of a parking meter, showing our new design;  
 FIG. 2 is a front elevational view thereof;  
 FIG. 3 is a rear elevational view thereof;  
 FIG. 4 is a left side elevational view thereof;  
 FIG. 5 is a right side elevational view thereof;  
 FIG. 6 is a top plan view thereof; and,  
 FIG. 7 is a bottom plan view thereof.  
 The structural features depicted by broken lines have been shown for the purpose of illustrating portions of the parking meter that form no part of the claimed design.

**1 Claim, 6 Drawing Sheets**



(56)

References Cited

U.S. PATENT DOCUMENTS

6,109,418 A	8/2000	Yost		8,590,687 B2 *	11/2013	King	.....	G06Q 20/127
6,116,403 A *	9/2000	Kiehl	..... G07F 17/248	8,595,054 B2 *	11/2013	King	.....	G06Q 20/127
			194/217					340/870.02
6,195,015 B1 *	2/2001	Jacobs	..... G07F 17/246	D707,140 S	6/2014	King et al.		
			340/693.12	D707,141 S	6/2014	King et al.		
RE37,193 E	5/2001	Ward, II et al.		D707,142 S	6/2014	King et al.		
6,243,028 B1	6/2001	Krygler et al.		8,862,494 B2 *	10/2014	King	.....	G06Q 20/127
6,312,152 B2	11/2001	Dee et al.						705/13
D461,728 S	8/2002	Tuxen et al.		2001/0012241 A1 *	8/2001	Dee	.....	G07F 17/248
6,747,575 B2	6/2004	Chauvin et al.						368/90
D498,795 S	11/2004	Nunn		2008/0245638 A1	10/2008	King et al.		
6,874,340 B1	4/2005	Berman		2009/0026842 A1	1/2009	Hunter et al.		
6,889,899 B2	5/2005	Silberberg		2009/0095593 A1	4/2009	King et al.		
D506,509 S	6/2005	Nunn		2009/0159674 A1	6/2009	King et al.		
D543,588 S	5/2007	Herbert et al.		2009/0192950 A1	7/2009	King et al.		
D575,168 S	8/2008	King et al.		2011/0057815 A1	3/2011	King et al.		
D587,141 S	2/2009	King et al.		2011/0060653 A1	3/2011	King et al.		
7,854,310 B2	12/2010	King et al.		2011/0203901 A1	8/2011	King et al.		
D661,603 S *	6/2012	MacKay	..... D10/42	2012/0222935 A1 *	9/2012	MacKay	.....	G07F 17/248
8,395,532 B2 *	3/2013	Chauvin	..... G06Q 20/32					194/210
			340/928	2013/0238406 A1 *	9/2013	King	.....	G06Q 20/127
D683,794 S	6/2013	Randall						705/13
				2014/0174881 A1 *	6/2014	King	.....	G06Q 20/127
								194/350

\* cited by examiner

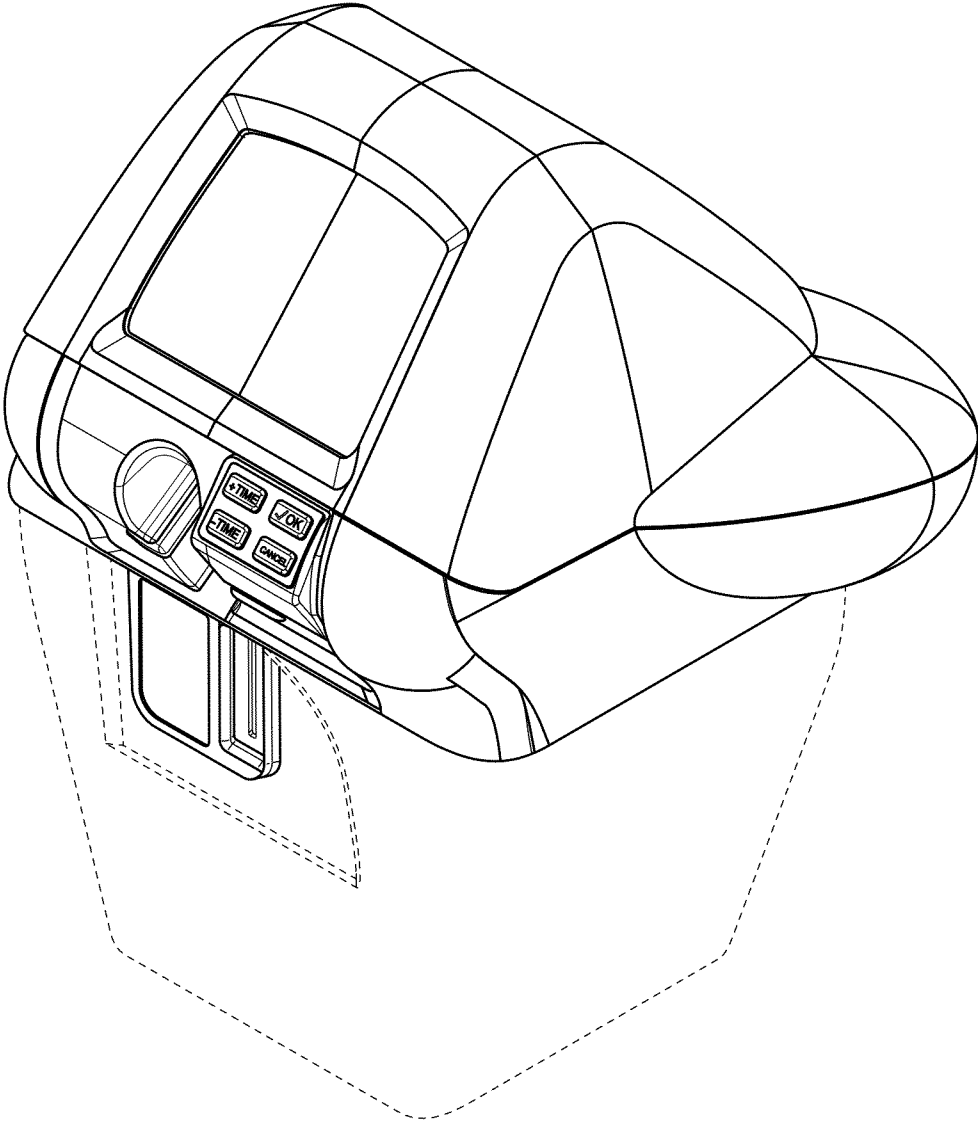


FIG. 1

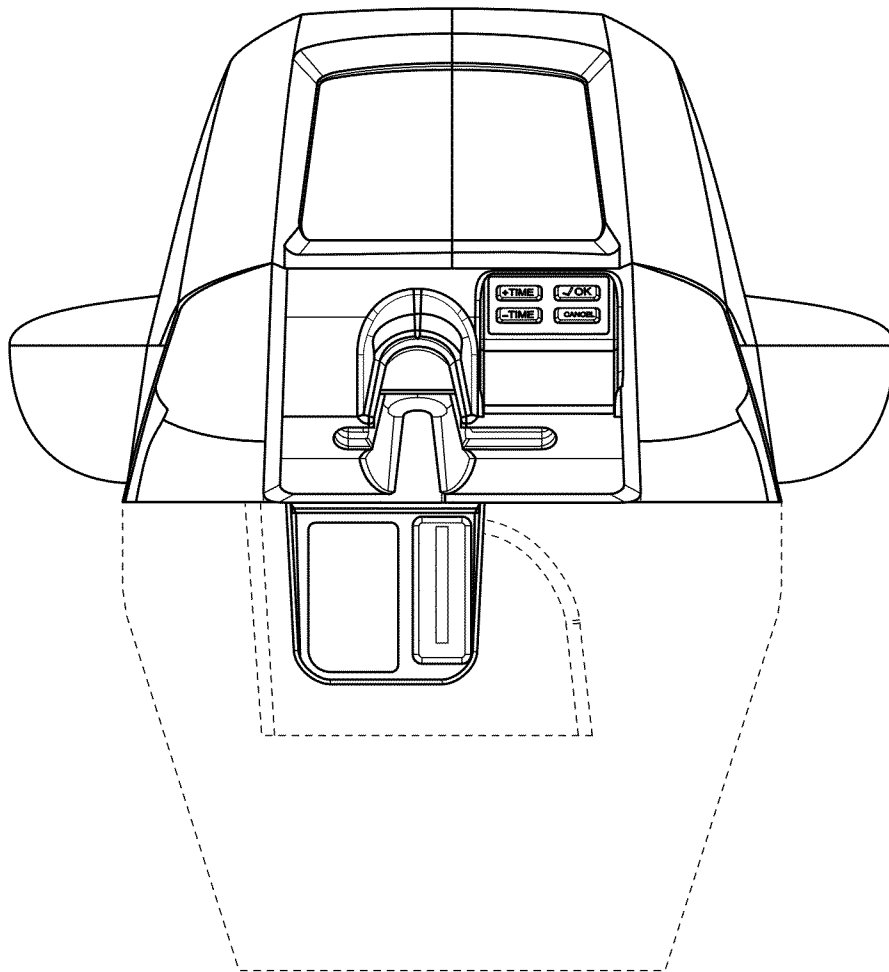


FIG. 2

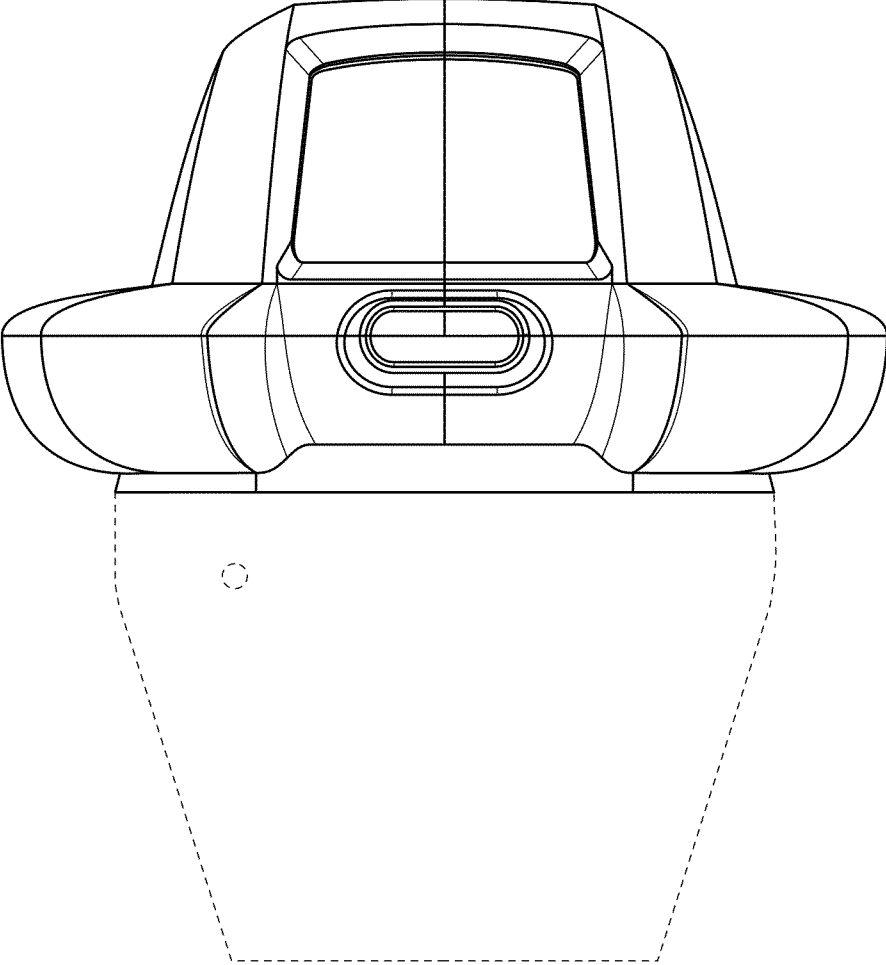


FIG. 3

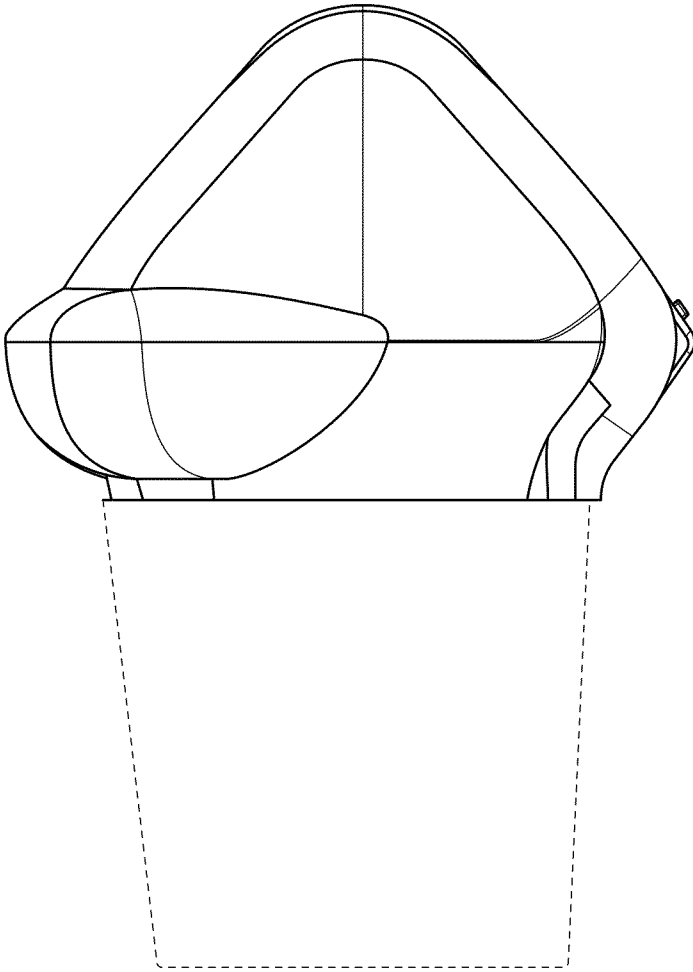


FIG. 4

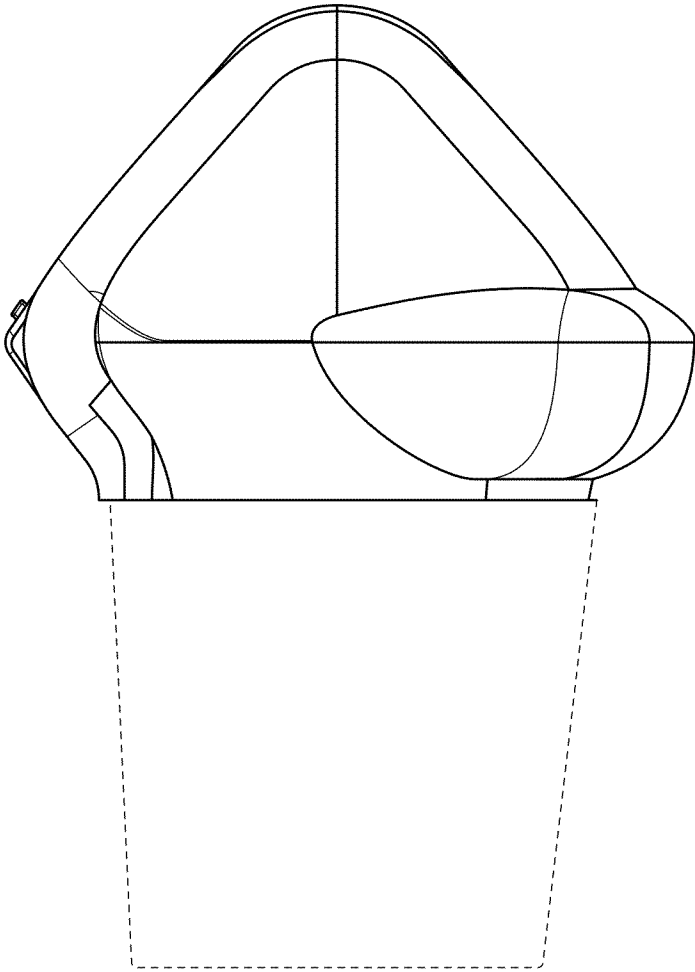


FIG. 5

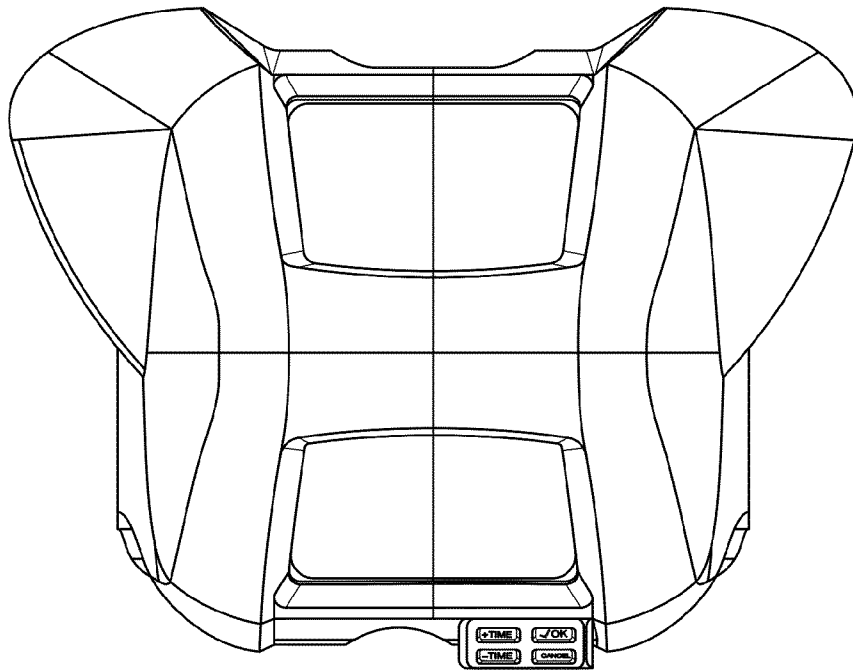


FIG. 6

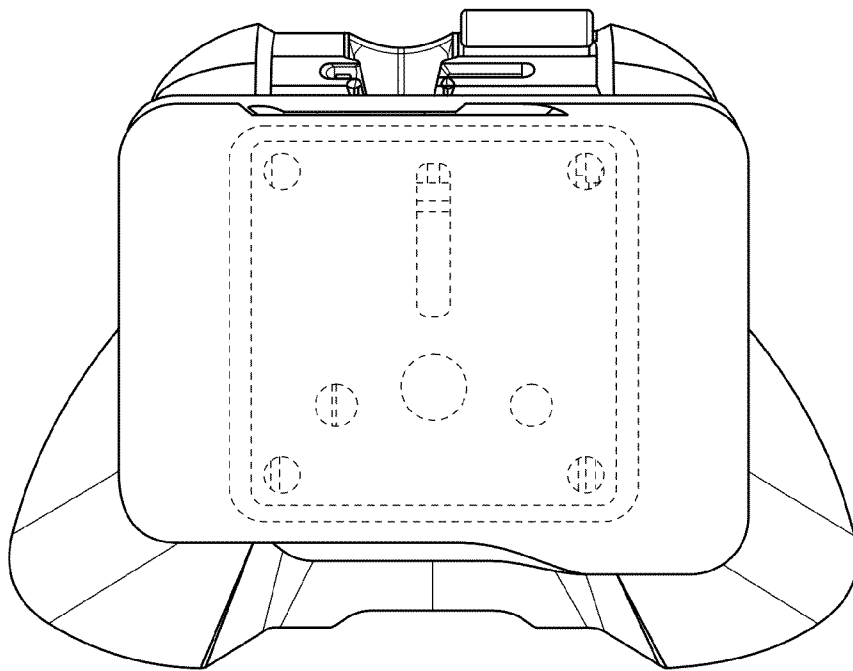


FIG. 7