



(12) **United States Design Patent**
King et al.

(10) **Patent No.:** **US D750,513 S**
(45) **Date of Patent:** **** Mar. 1, 2016**

(54) **POLE-MOUNTED VEHICLE SENSOR**
(71) Applicant: **IPS GROUP INC.**, San Diego, CA (US)
(72) Inventors: **David William King**, Rancho Santa Fe, CA (US); **Anthony Babaran**, San Diego, CA (US); **Ron Lawrence**, San Diego, CA (US); **Toshiyasu Matsuyama**, Rancho Dominguez, CA (US)

6,229,455 B1 5/2001 Saar et al.
D447,714 S 9/2001 Cappiello
D449,010 S 10/2001 Petrucelli
D454,807 S 3/2002 Cappiello
D463,749 S 10/2002 Petrucelli
D692,784 S * 11/2013 Anderssen et al. D10/70
8,631,921 B2 1/2014 Anastacio et al.
2007/0210935 A1 9/2007 Saar et al.
2011/0063133 A1 3/2011 Fasciano et al.

FOREIGN PATENT DOCUMENTS

(73) Assignee: **IPS GROUP INC.**, San Diego, CA (US)

EP 1128350 10/2007
W● W●2014/014494 1/2014

(**) Term: **14 Years**

* cited by examiner

(21) Appl. No.: **29/499,444**

Primary Examiner — Antoine D Davis
(74) *Attorney, Agent, or Firm* — Wilson Sonsini Goodrich & Rosati

(22) Filed: **Aug. 14, 2014**

(51) **LOC (10) Cl.** **10-04**

(57) **CLAIM**

(52) **U.S. Cl.**

The ornamental design for a pole-mounted vehicle sensor, as shown and described.

USPC **D10/70**

(58) **Field of Classification Search**

DESCRIPTION

USPC D10/70
CPC B60R 25/33; G08G 1/14; G08G 1/141; G08G 1/142; G08G 1/143; G08G 1/144; G08G 1/145; G08G 1/146; G08G 1/147; G08G 1/148; G08G 1/149

See application file for complete search history.

FIG. 1 is a perspective view of a pole-mounted vehicle sensor, showing our new design;
FIG. 2 is a front elevational view thereof;
FIG. 3 is a rear elevational view thereof;
FIG. 4 is a left side elevational view thereof;
FIG. 5 is a right side elevational view thereof;
FIG. 6 is a top plan view thereof; and,
FIG. 7 is a bottom plan view thereof.

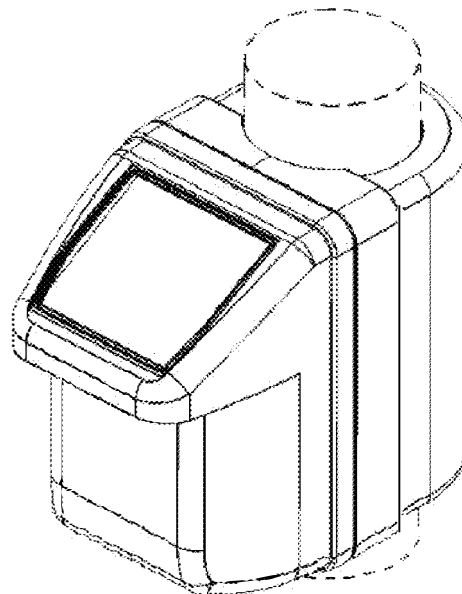
The broken line showing of environmental matter is for illustrative purposes only and forms no part of the claimed design.

(56) **References Cited**

U.S. PATENT DOCUMENTS

5,777,951 A 7/1998 Mitschele et al.
D400,115 S 10/1998 Yaron et al.
D439,591 S 3/2001 Reidt et al.

1 Claim, 7 Drawing Sheets



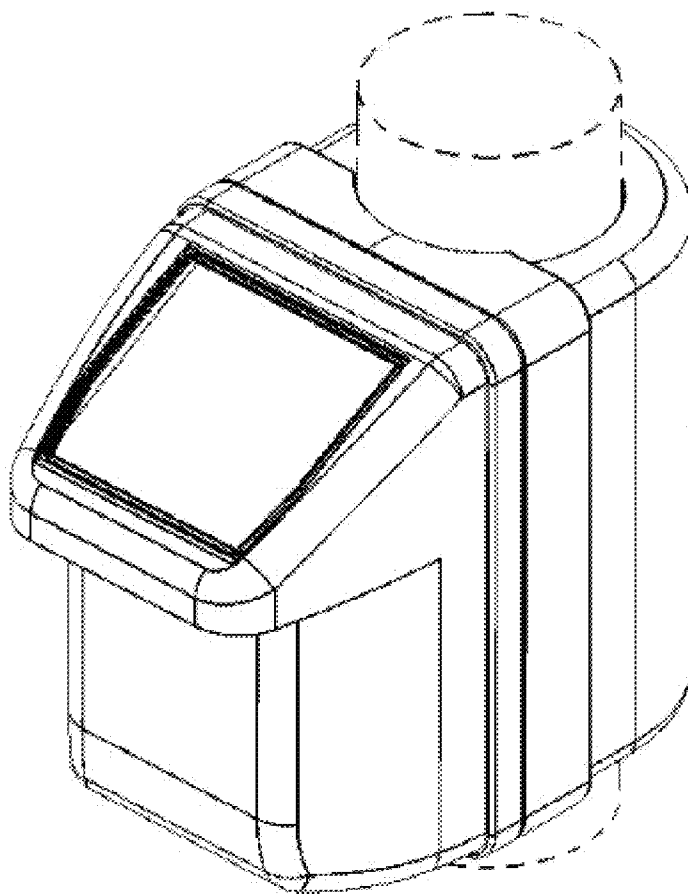


FIG. 1

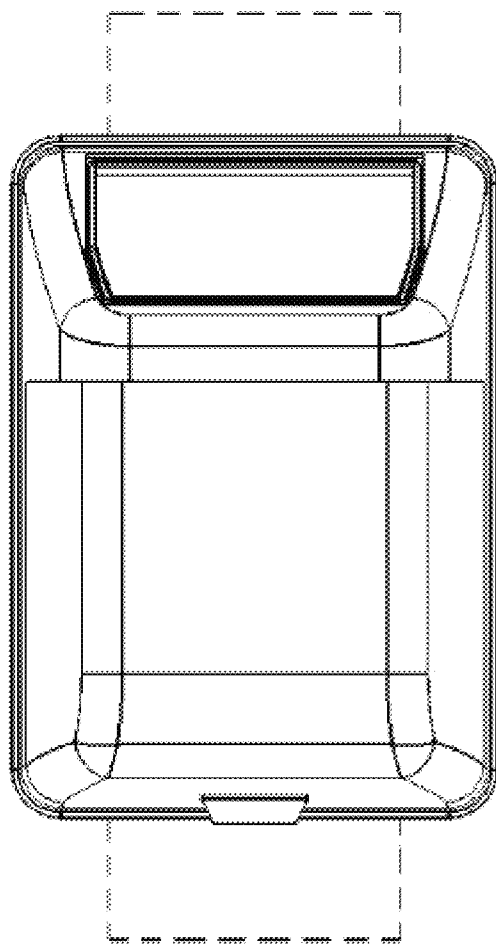


FIG. 2

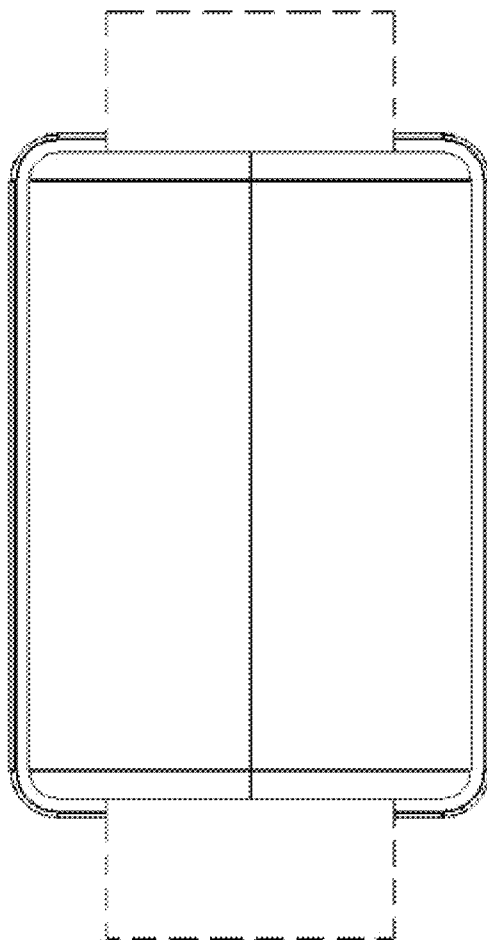


FIG. 3

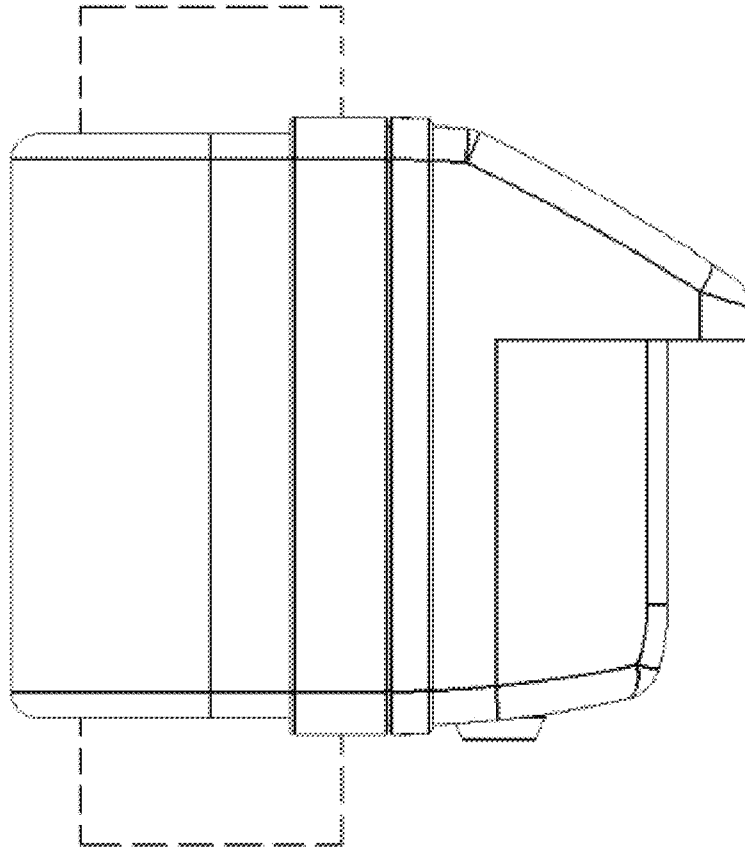


FIG. 4

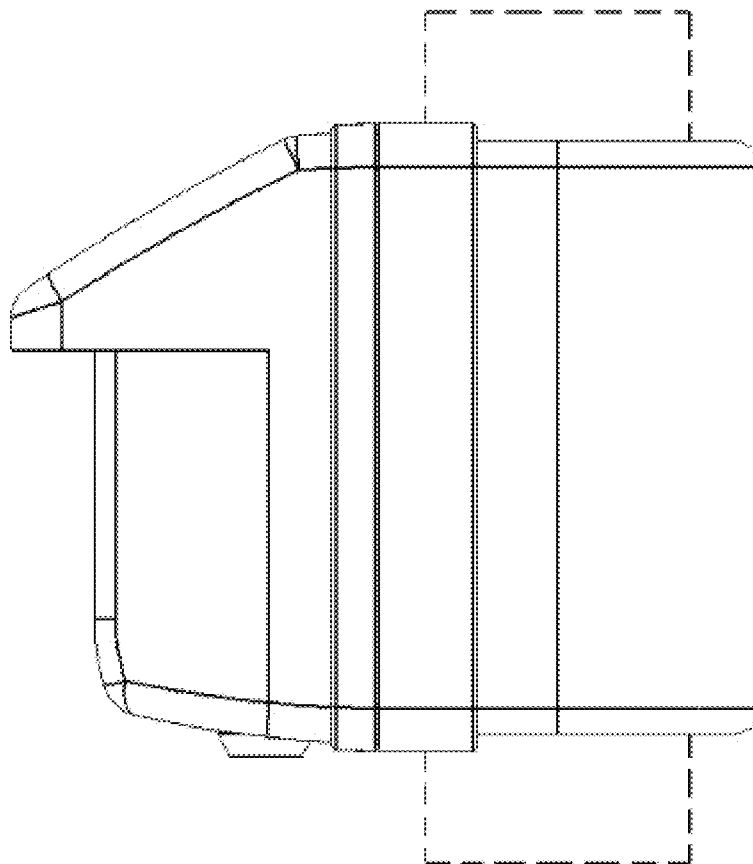


FIG. 5

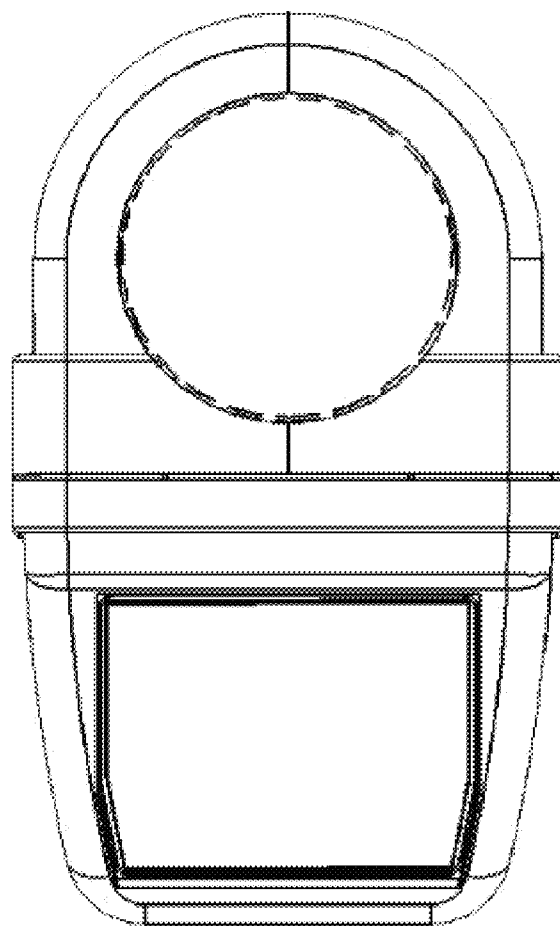


FIG. 6

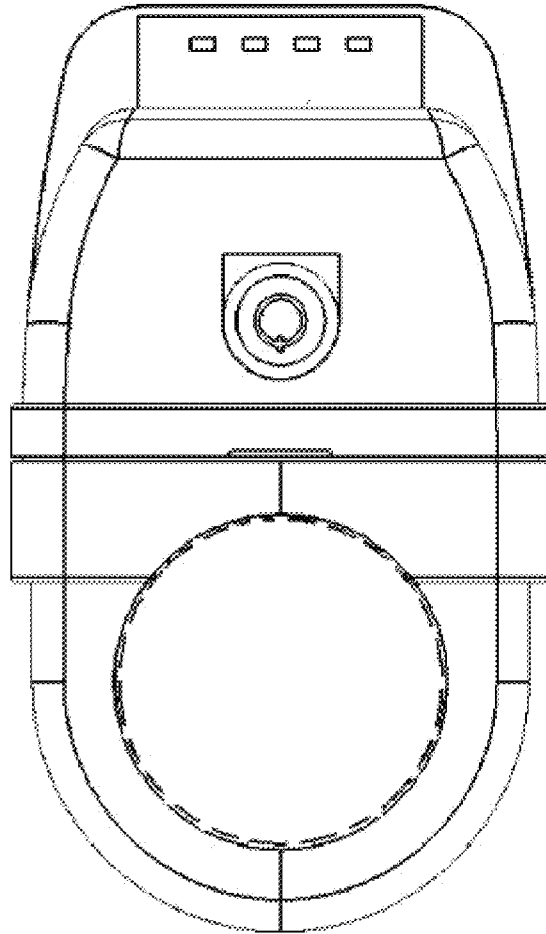


FIG. 7