

(56)

References Cited

U.S. PATENT DOCUMENTS

7,019,670 B2 3/2006 Bahar
 7,028,888 B2 4/2006 Laskowski et al.
 7,040,534 B2 5/2006 Turocy et al.
 D538,505 S 3/2007 Kang
 7,222,782 B2 * 5/2007 Lute et al. 235/379
 7,284,692 B1 10/2007 Douglass
 D570,920 S 6/2008 Choi
 7,419,091 B1 9/2008 Scanlon
 D579,795 S 11/2008 Martinez et al.
 D582,125 S 12/2008 Kang et al.
 7,533,802 B1 * 5/2009 McGinley et al. 235/379
 D596,374 S * 7/2009 Kang et al. D99/28
 7,624,919 B2 12/2009 Meek et al.
 7,699,224 B2 4/2010 Molé
 D625,305 S * 10/2010 Bleck et al. D14/307
 D632,740 S 2/2011 Adeline
 D645,223 S * 9/2011 Bleck et al. D99/28
 D652,872 S 1/2012 Mougin et al.
 D653,014 S * 1/2012 Rohan et al. D99/28
 D653,420 S 1/2012 Rohan
 D653,421 S * 1/2012 Rohan et al. D99/28
 D653,424 S * 1/2012 Rohan et al. D99/28
 D672,525 S 12/2012 Lee et al.
 D674,985 S 1/2013 Lee
 D677,035 S * 2/2013 Lee et al. D99/28
 D680,156 S 4/2013 Hernandez et al.
 D681,717 S 5/2013 Helgesson et al.
 D684,745 S 6/2013 Reuter
 D691,165 S 10/2013 Attoma
 D693,983 S 11/2013 Budde et al.
 D696,484 S 12/2013 Lee
 D696,485 S 12/2013 Lee
 D702,913 S 4/2014 Budde
 D702,914 S 4/2014 Budde
 D716,515 S 10/2014 Cha

D722,740 S 2/2015 Budde
 2004/0016796 A1 1/2004 Hanna et al.
 2004/0243526 A1 12/2004 Krygler et al.
 2005/0029340 A1 2/2005 Ferraro
 2006/0152385 A1 7/2006 Mandy
 2007/0046651 A1 3/2007 Sinclair et al.
 2007/0276724 A1 11/2007 Catt
 2008/0257965 A1 10/2008 Klein et al.
 2008/0296365 A1 12/2008 Schliebe
 2009/0057398 A1 3/2009 Douglass et al.
 2010/0161489 A1 6/2010 Goodall et al.
 2010/0243729 A1 9/2010 Russell et al.
 2011/0133613 A1 6/2011 Descamps et al.
 2012/0286036 A1 11/2012 Jones et al.

OTHER PUBLICATIONS

U.S. Appl. No. 29/466,269, filed Sep. 5, 2013, Randall et al.
 U.S. Appl. No. 29/466,267, filed Sep. 5, 2013, Randall et al.
 U.S. Appl. No. 29/477,176, filed Dec. 19, 2013, Randall et al.
 U.S. Appl. No. 29/477,195, filed Dec. 19, 2013, Randall et al.
 U.S. Appl. No. 29/477,196, filed Dec. 19, 2013, Randall et al.
 U.S. Appl. No. 29/477,201, filed Dec. 19, 2013, Randall et al.
 U.S. Appl. No. 29/477,204, filed Dec. 19, 2013, Randall et al.
 U.S. Appl. No. 29/477,321, filed Dec. 20, 2013, Randall et al.
 U.S. Appl. No. 29/477,324, filed Dec. 20, 2013, Randall et al.
 U.S. Appl. No. 29/477,329, filed Dec. 20, 2013, Randall et al.
 U.S. Appl. No. 29/477,339, filed Dec. 20, 2013, Randall et al.
 U.S. Appl. No. 29/477,402, filed Dec. 20, 2013, Randall et al.
 U.S. Appl. No. 29/477,405, filed Dec. 20, 2013, Randall et al.
 U.S. Appl. No. 29/477,201 Office Action dated Apr. 9, 2015.
 U.S. Appl. No. 29/477,204 Office Action dated Apr. 9, 2015.
 U.S. Appl. No. 29/477,402 Office Action dated Apr. 9, 2015.
 U.S. Appl. No. 29/477,324 Office Action dated Apr. 23, 2015.
 U.S. Appl. No. 29/477,176 Office Action dated May 4, 2015.

* cited by examiner

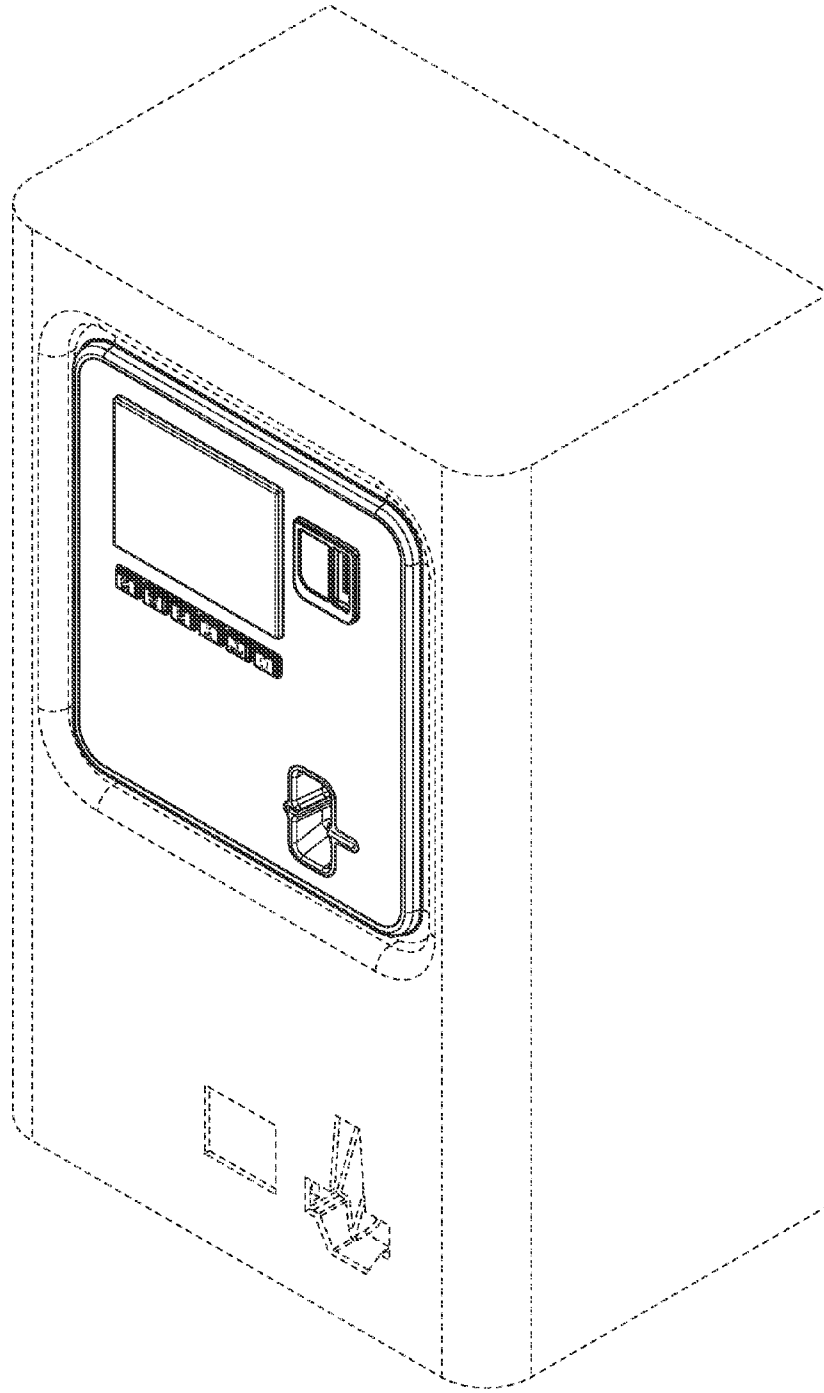


FIG. 1

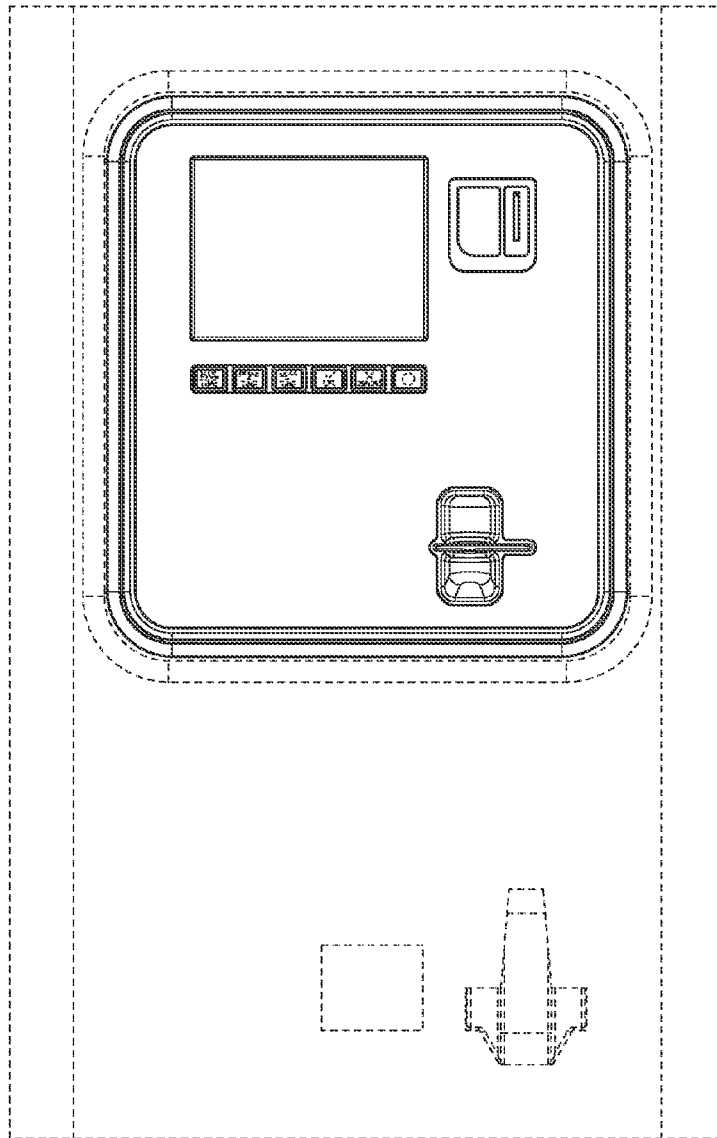


FIG. 2



FIG. 3

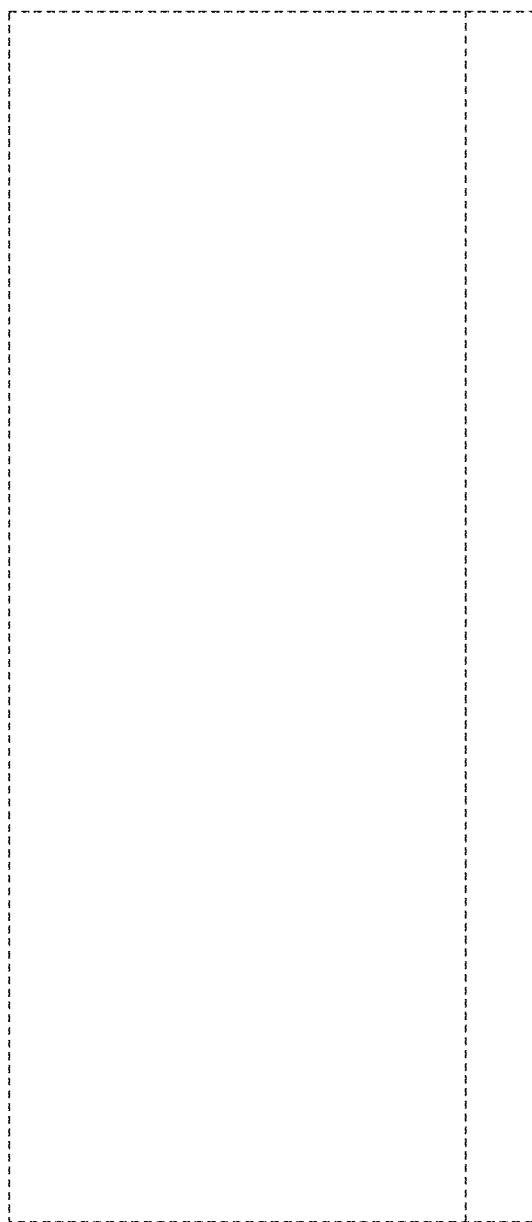


FIG. 4

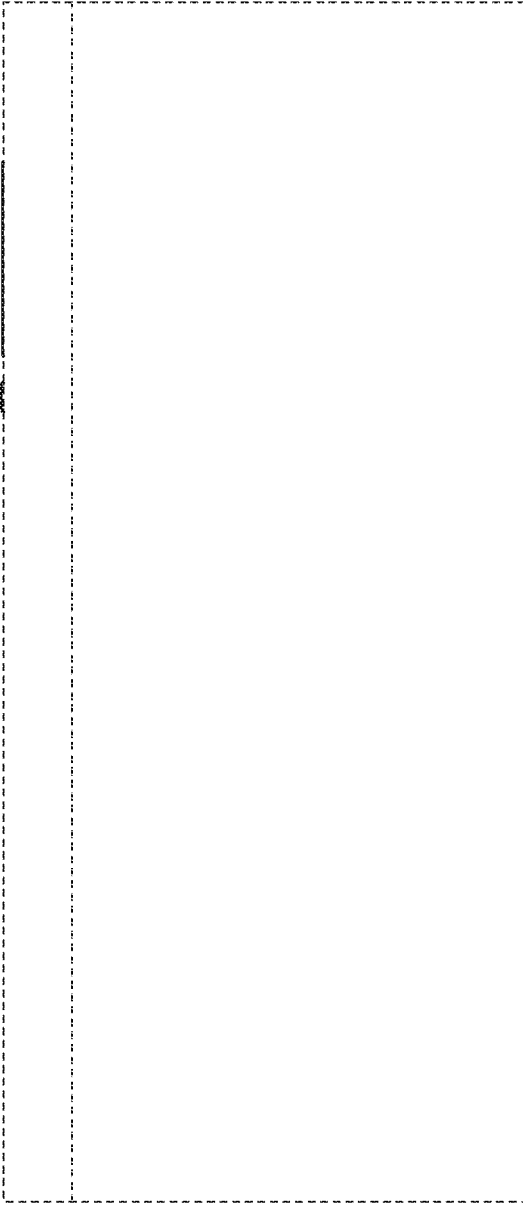


FIG. 5



FIG. 6

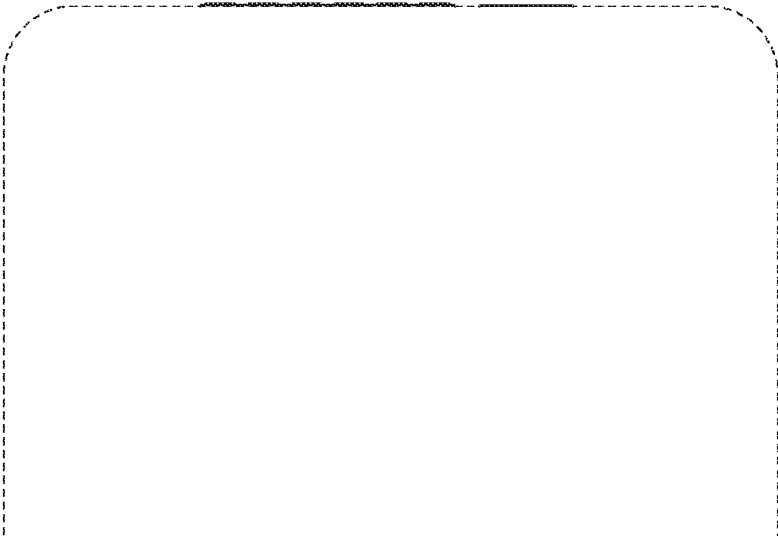


FIG. 7