



(12) **United States Design Patent**  
**King et al.**

(10) **Patent No.:** **US D707,141 S**  
(45) **Date of Patent:** **\*\* Jun. 17, 2014**

(54) **PARKING METER**

(71) Applicant: **IPS Group Inc.**, San Diego, CA (US)

(72) Inventors: **David William King**, San Diego, CA (US); **Alexander Schwarz**, San Diego, CA (US); **Stephen John Hunter**, San Diego, CA (US)

(73) Assignee: **IPS Group Inc.**, San Diego, CA (US)

(\*\*) Term: **14 Years**

(21) Appl. No.: **29/437,129**

(22) Filed: **Nov. 13, 2012**

(51) **LOC (10) Cl.** ..... **10-03**

(52) **U.S. Cl.**  
USPC ..... **D10/42**

(58) **Field of Classification Search**  
USPC ..... D10/40, 41, 42, 43, 44, 45; D20/6;  
D99/28; 194/211, 217, 277, 302, 350,  
194/351, 900, 902; 368/89, 90, 92;  
398/202; 235/382, 384; 340/932.2;  
705/418

See application file for complete search history.

(56) **References Cited**

**U.S. PATENT DOCUMENTS**

D107,577 S *	12/1937	McGay et al.	.....	D10/42
2,229,183 A *	1/1941	Mitchell	.....	194/277
D166,753 S *	5/1952	Jones	.....	D10/42
2,596,124 A *	5/1952	Broussard	.....	368/90
D181,359 S *	11/1957	Jones	.....	D10/42
3,486,324 A *	12/1969	Andersson	.....	368/90
4,031,991 A *	6/1977	Malott	.....	194/217
D319,077 S *	8/1991	Arato et al.	.....	D20/6
5,155,614 A *	10/1992	Carmen et al.	.....	398/202
5,563,491 A *	10/1996	Tseng	.....	320/109
5,617,942 A *	4/1997	Ward et al.	.....	194/217

D388,231 S *	12/1997	Magee et al.	.....	D99/28
RE37,193 E *	5/2001	Ward et al.	.....	194/217
6,312,152 B2 *	11/2001	Dee et al.	.....	368/90
6,747,575 B2 *	6/2004	Chauvin et al.	.....	340/932.2
6,874,340 B1 *	4/2005	Berman	.....	70/161
6,889,899 B2 *	5/2005	Silberberg	.....	235/384
D575,168 S *	8/2008	King et al.	.....	D10/42
D587,141 S *	2/2009	King et al.	.....	D10/42
7,854,310 B2 *	12/2010	King et al.	.....	194/350
2008/0245638 A1 *	10/2008	King et al.	.....	194/350
2009/0026842 A1 *	1/2009	Hunter et al.	.....	307/66
2009/0095593 A1 *	4/2009	King et al.	.....	194/302
2009/0159674 A1 *	6/2009	King et al.	.....	235/382
2009/0192950 A1 *	7/2009	King et al.	.....	705/418
2011/0057815 A1 *	3/2011	King et al.	.....	340/932.2
2011/0060653 A1 *	3/2011	King et al.	.....	705/14.58
2011/0203901 A1 *	8/2011	King et al.	.....	194/211

\* cited by examiner

*Primary Examiner* — Caron D Veynar

*Assistant Examiner* — Martie K Holtje

(74) *Attorney, Agent, or Firm* — Wilson Sonsini Goodrich & Rosati

(57) **CLAIM**

The ornamental design for a parking meter, as shown and described.

**DESCRIPTION**

FIG. 1 is a right front perspective view of a parking meter showing our new design;

FIG. 2 is a front elevational view thereof;

FIG. 3 is a rear elevational view thereof;

FIG. 4 is a left side elevational view thereof;

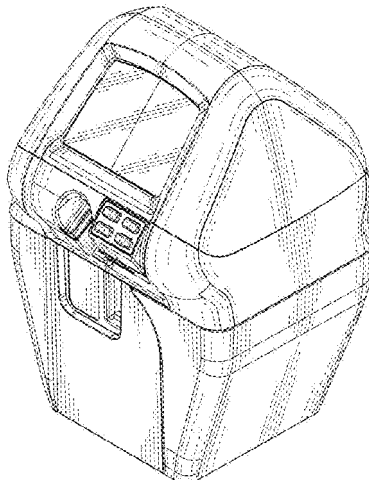
FIG. 5 is a right side elevational view thereof;

FIG. 6 is a top plan view thereof; and,

FIG. 7 is a bottom plan view thereof.

The broken lines in FIGS. 3 and 7 have been shown for the purpose of illustrating portions of the Parking Meter that form no part of the claimed design.

**1 Claim, 6 Drawing Sheets**



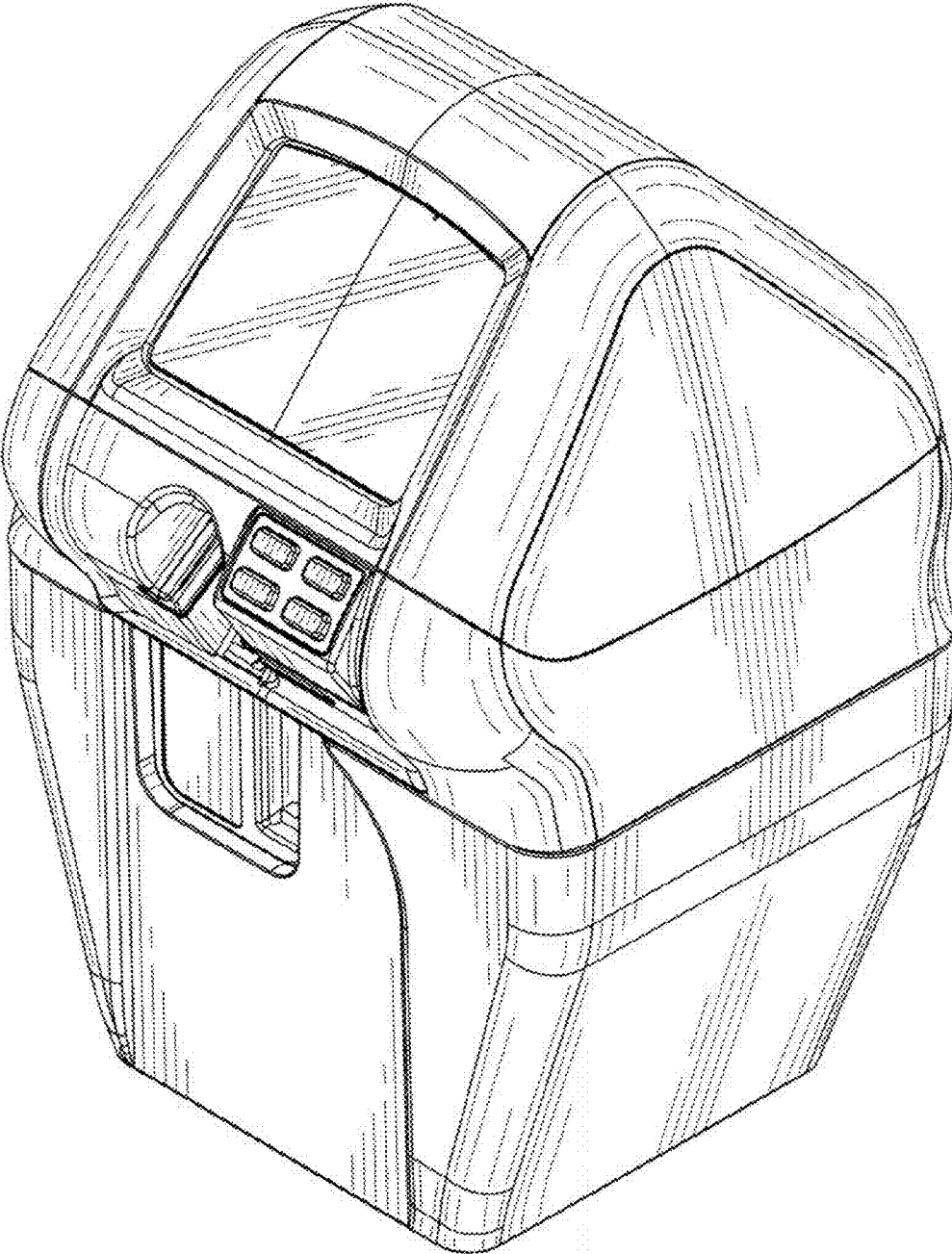


FIG. 1

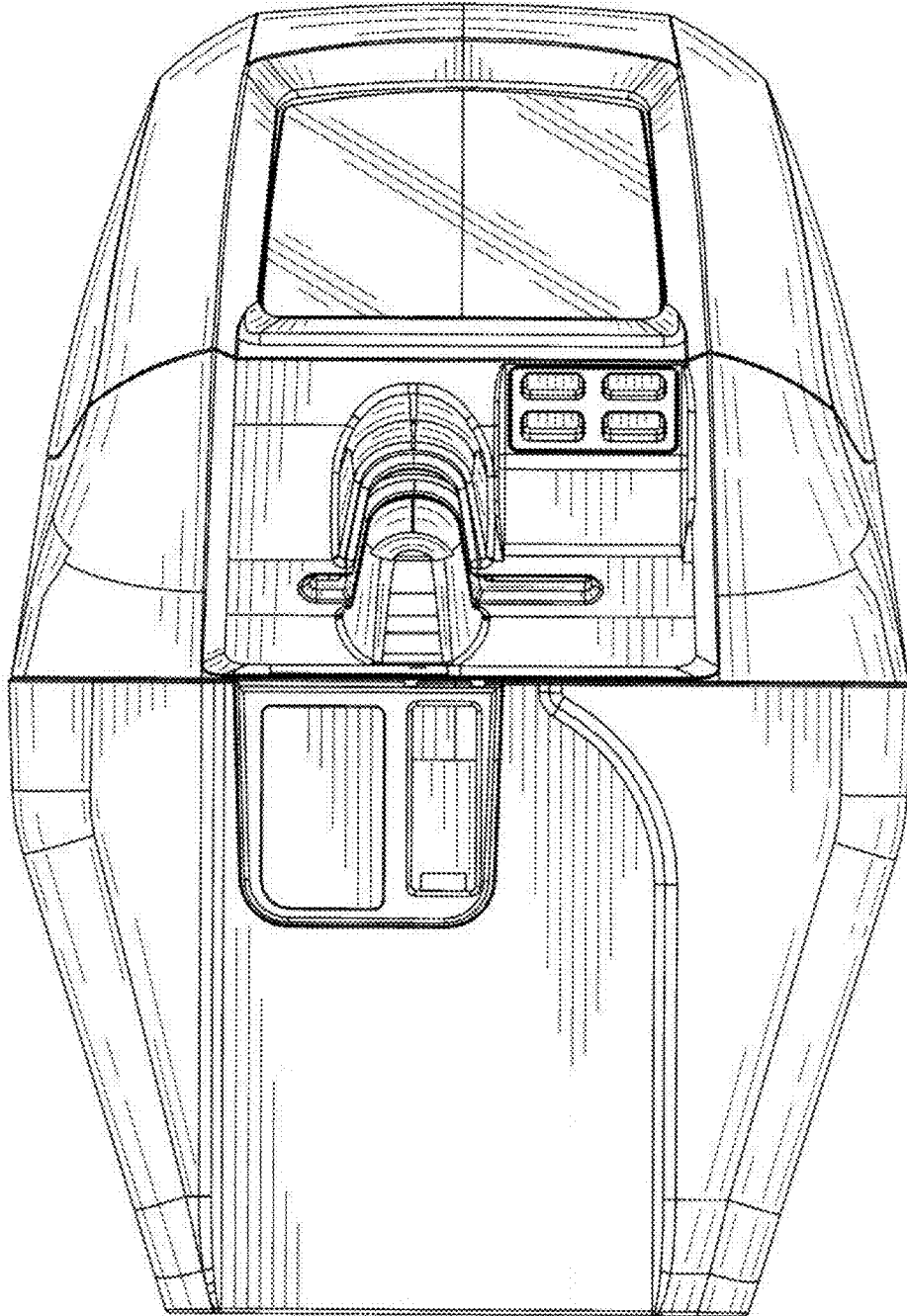
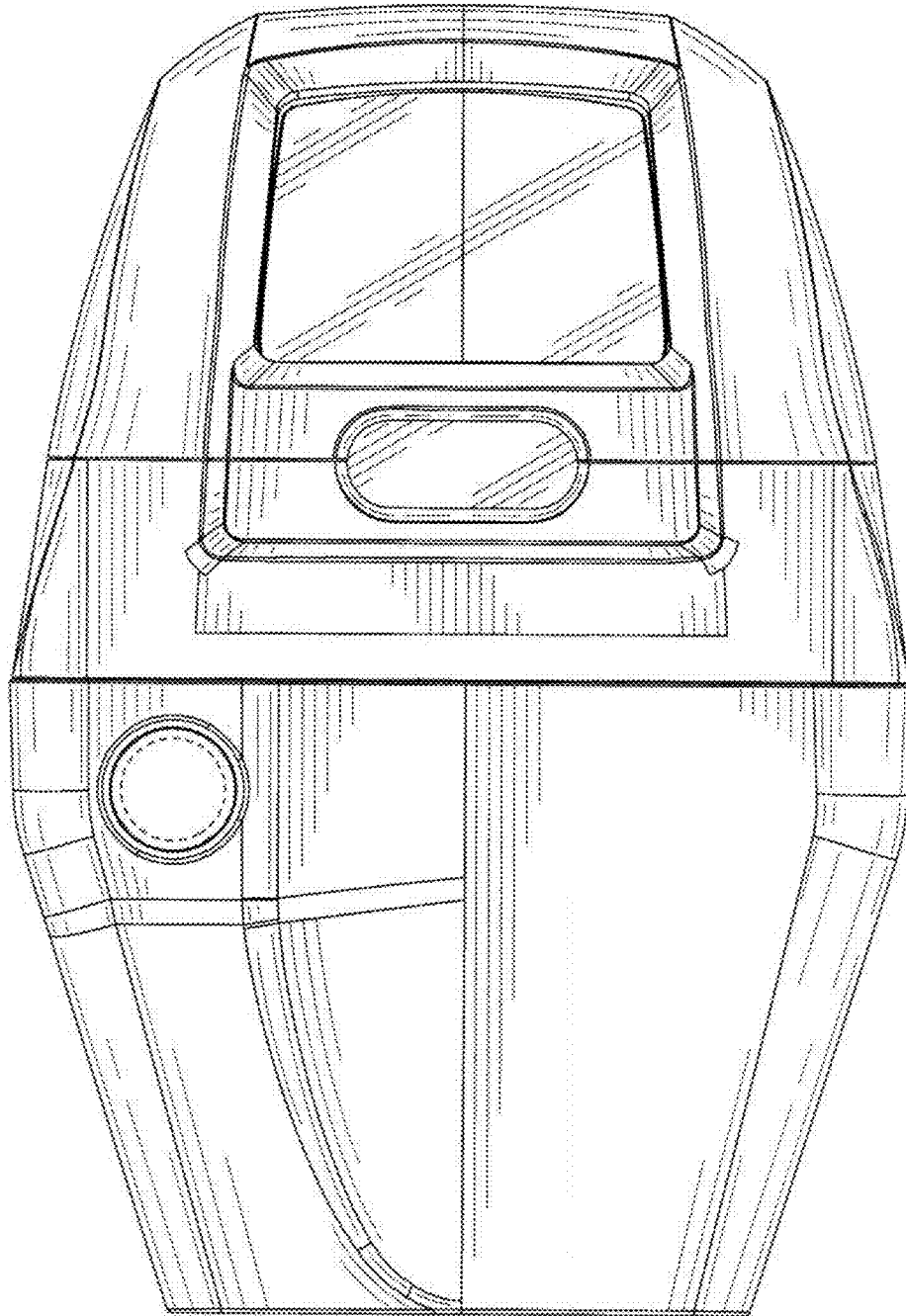


FIG. 2



**FIG. 3**

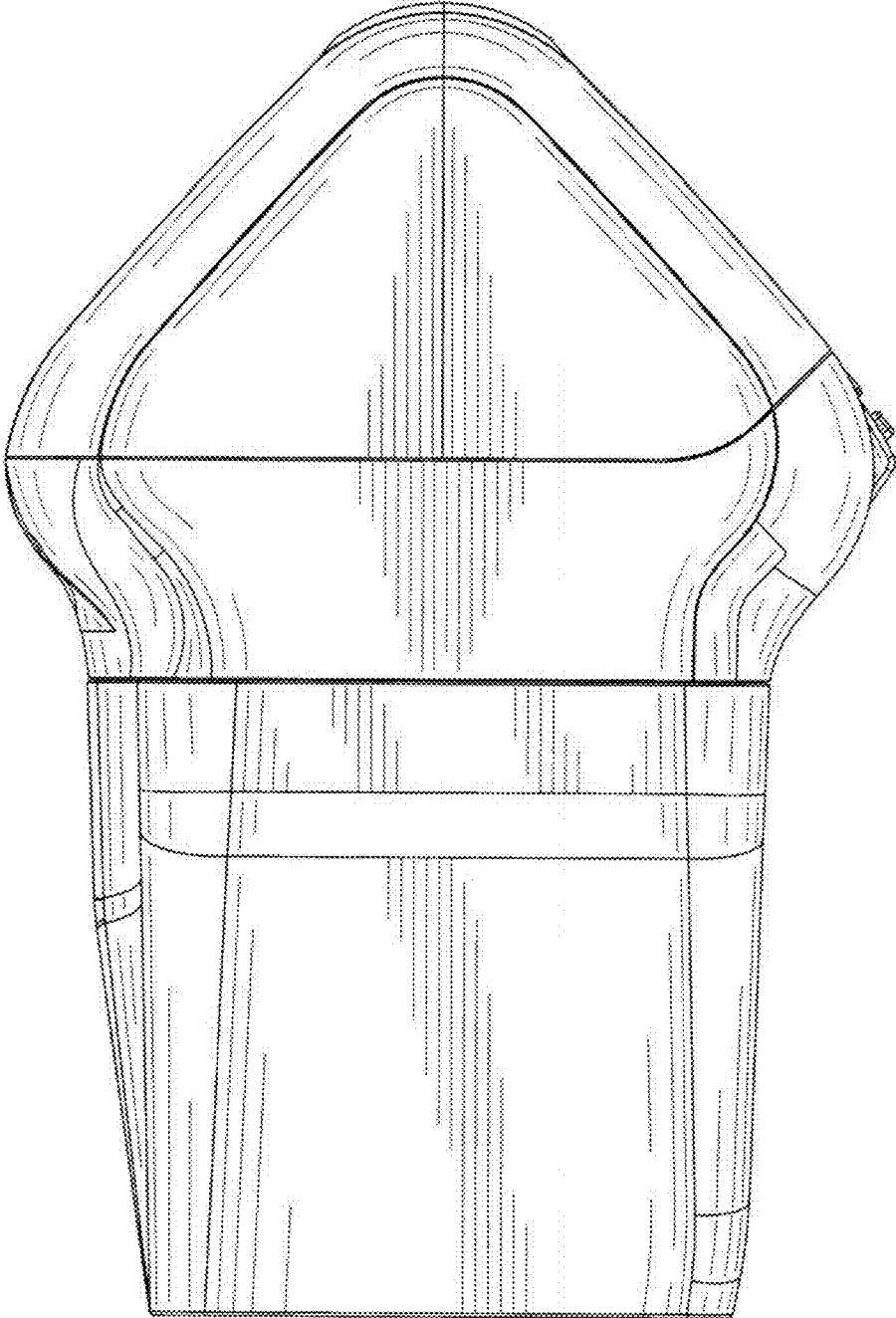


FIG. 4

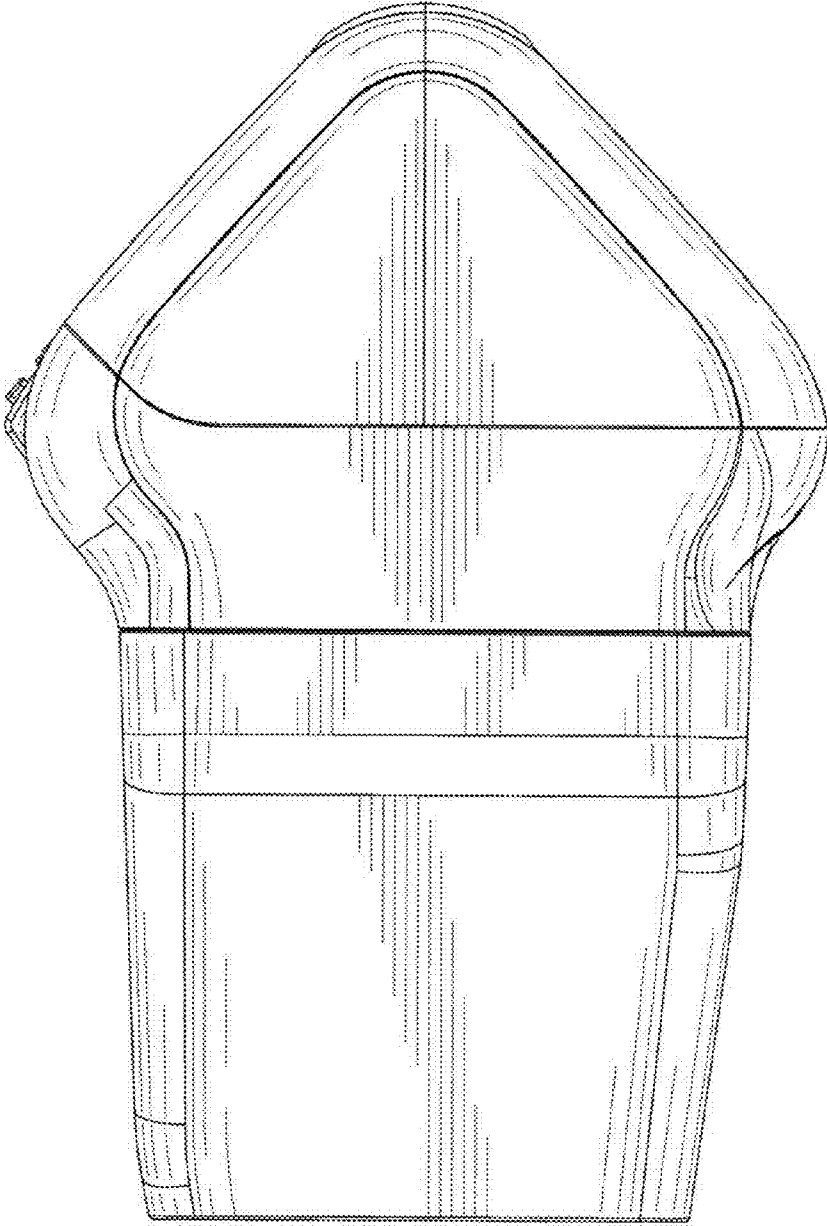


FIG. 5

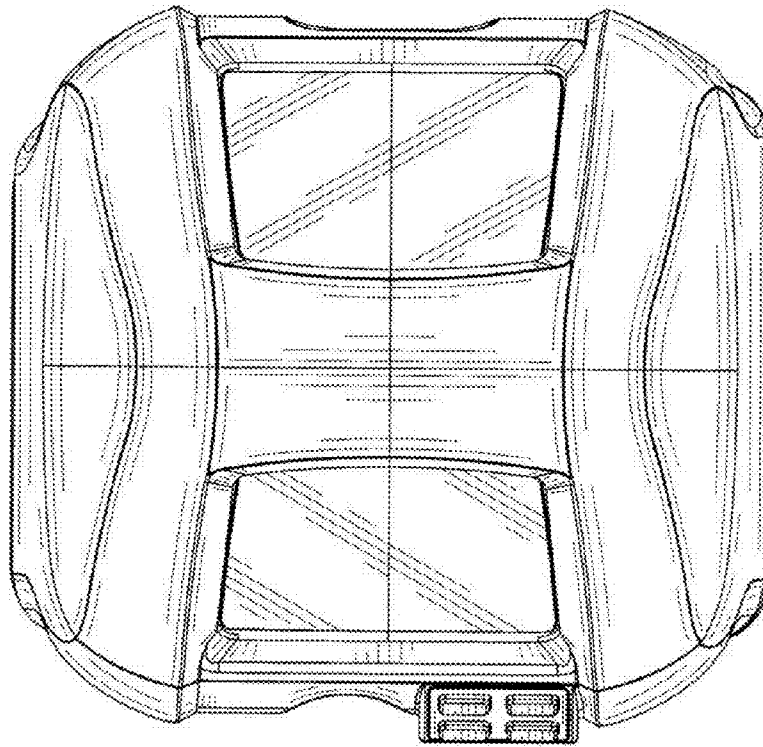


FIG. 6

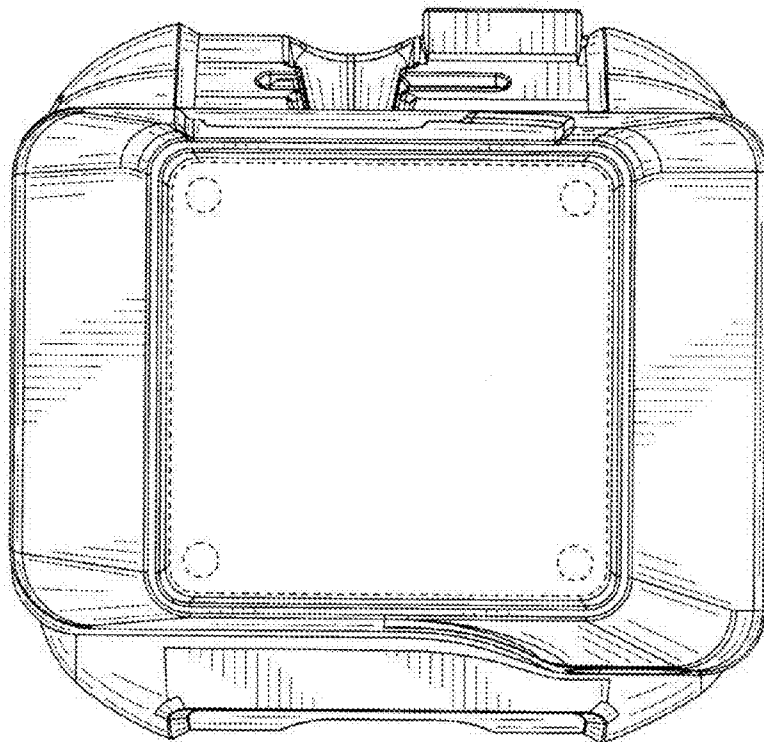


FIG. 7