



(12) **United States Design Patent**  
**Randall**

(10) **Patent No.:** **US D690,771 S**

(45) **Date of Patent:** **\*\* \*Oct. 1, 2013**

(54) **VENDING CONTROL UNIT**

(75) Inventor: **Chad Randall**, San Diego, CA (US)

(73) Assignee: **IPS Group Inc.**, San Diego, CA (US)

(\* ) Notice: This patent is subject to a terminal disclaimer.

(\*\*) Term: **14 Years**

(21) Appl. No.: **29/429,466**

(22) Filed: **Aug. 10, 2012**

(51) **LOC (9) Cl.** ..... **20-01**

(52) **U.S. Cl.**  
USPC ..... **D20/9**

(58) **Field of Classification Search**  
USPC ..... D20/1-9; 194/205, 206, 244, 321,  
194/345, 346, 350; D14/365; D18/3.3, 4.4;  
D99/28, 43; 235/381

See application file for complete search history.

(56) **References Cited**

**U.S. PATENT DOCUMENTS**

D152,587 S \* 2/1949 Brundage ..... D20/8  
D351,193 S \* 10/1994 Abe ..... D20/9

D354,835 S \* 1/1995 Brendel ..... D99/43  
D395,133 S \* 6/1998 Mikami et al. .... D99/43  
D471,238 S \* 3/2003 Showers et al. .... D20/8  
D477,030 S \* 7/2003 Kolls et al. .... D20/8  
D515,092 S \* 2/2006 Wilfong ..... D14/385

\* cited by examiner

*Primary Examiner* — Mary Ann Calabrese

(74) *Attorney, Agent, or Firm* — Wilson, Sonsini, Goodrich & Rosati

(57) **CLAIM**

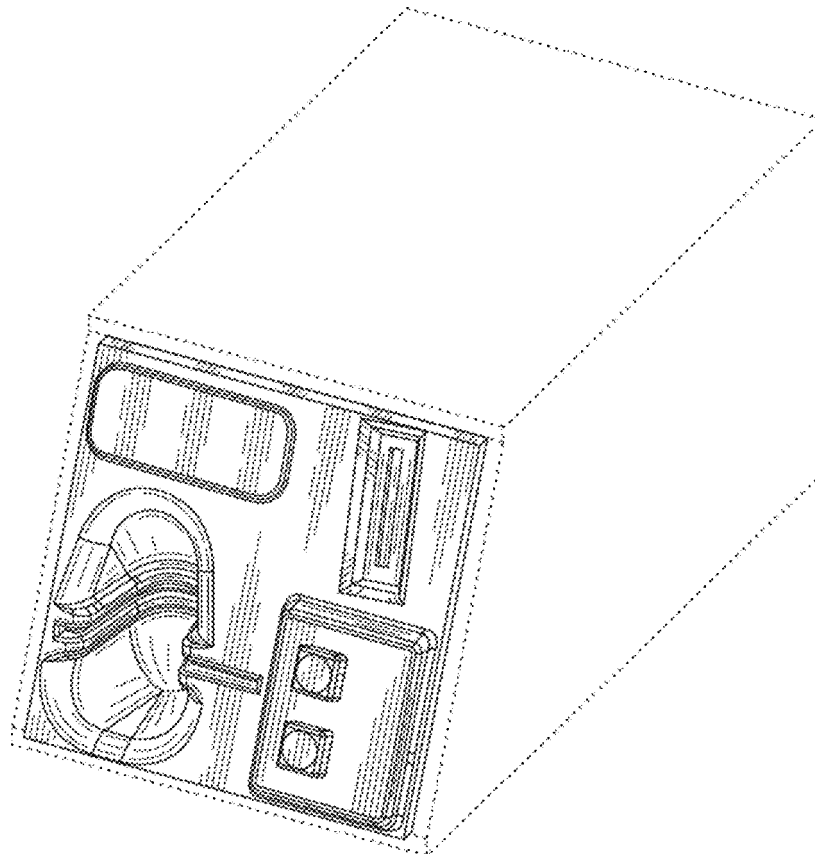
The ornamental design for vending control unit, as shown and described.

**DESCRIPTION**

FIG. 1 is a perspective view of a vending control unit showing my new design;  
FIG. 2 is a front elevational view thereof;  
FIG. 3 is a rear elevational view thereof;  
FIG. 4 is a left side elevational view thereof;  
FIG. 5 is a right side elevational view thereof;  
FIG. 6 is a top plan view thereof; and,  
FIG. 7 is a bottom plan view thereof.

The broken line showing of environmental matter is for illustrative purposes only and forms no part of the claimed design.

**1 Claim, 5 Drawing Sheets**



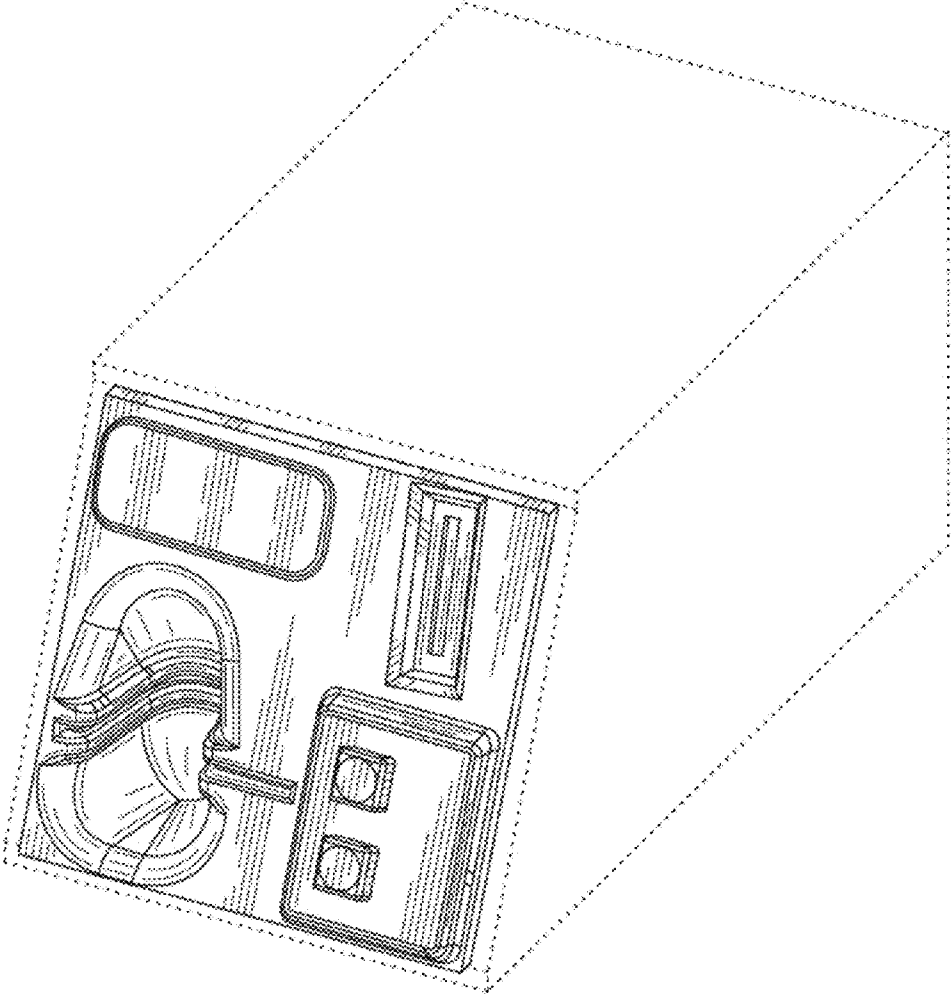


FIG. 1

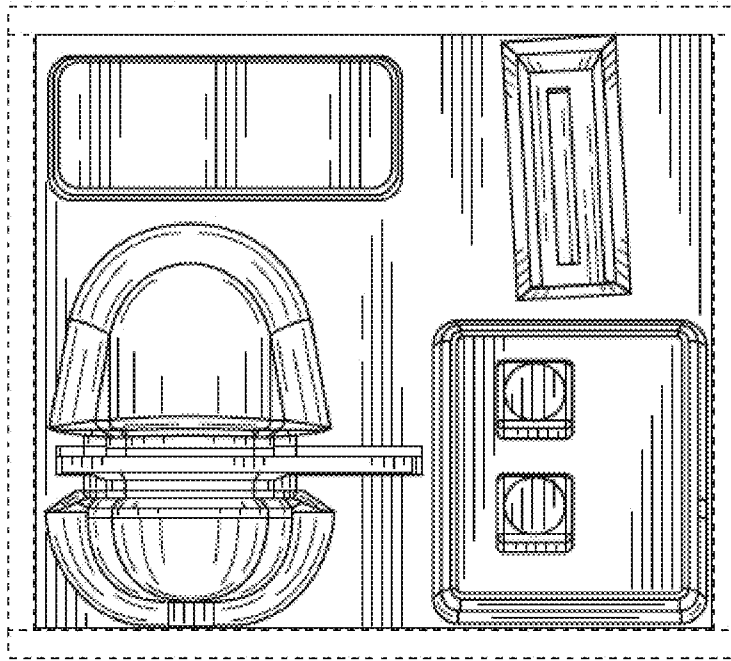


FIG. 2

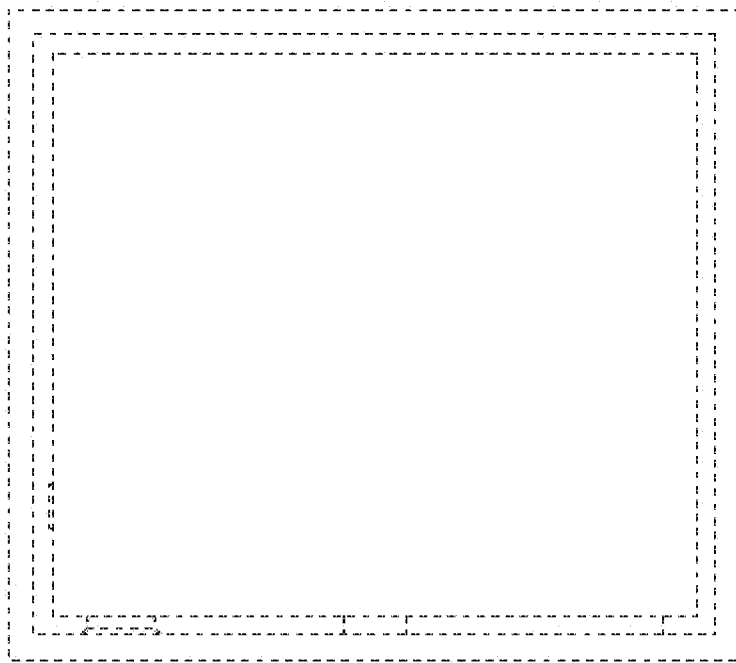


FIG. 3

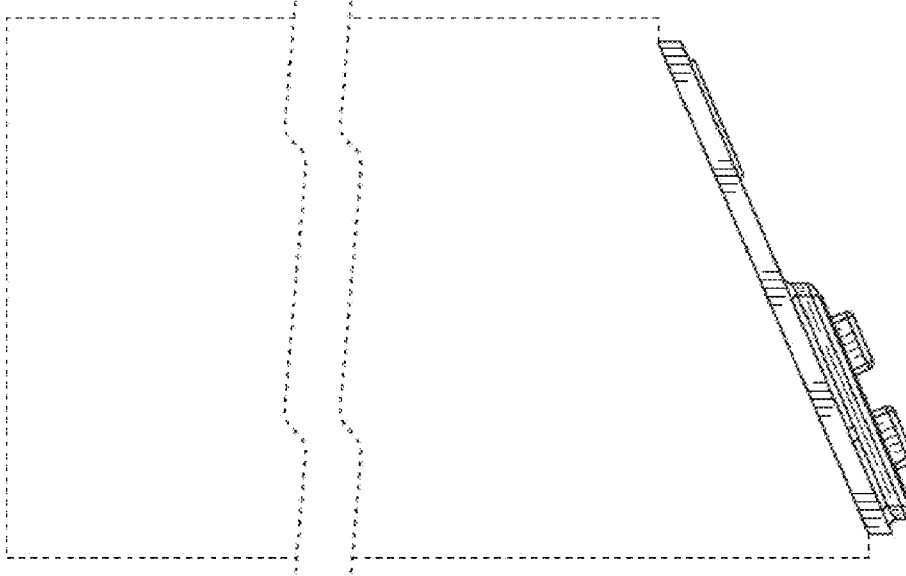


FIG. 4

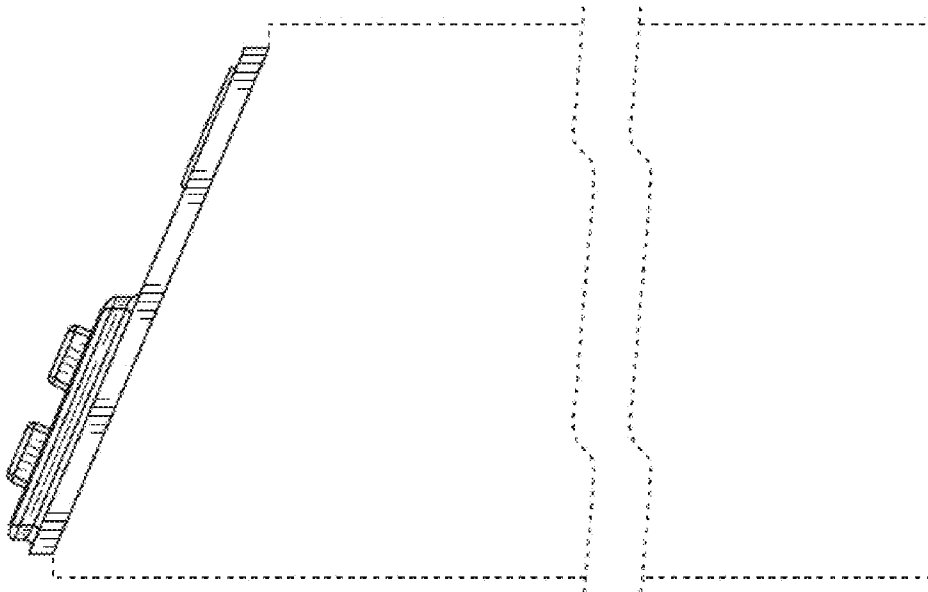


FIG. 5



FIG. 6

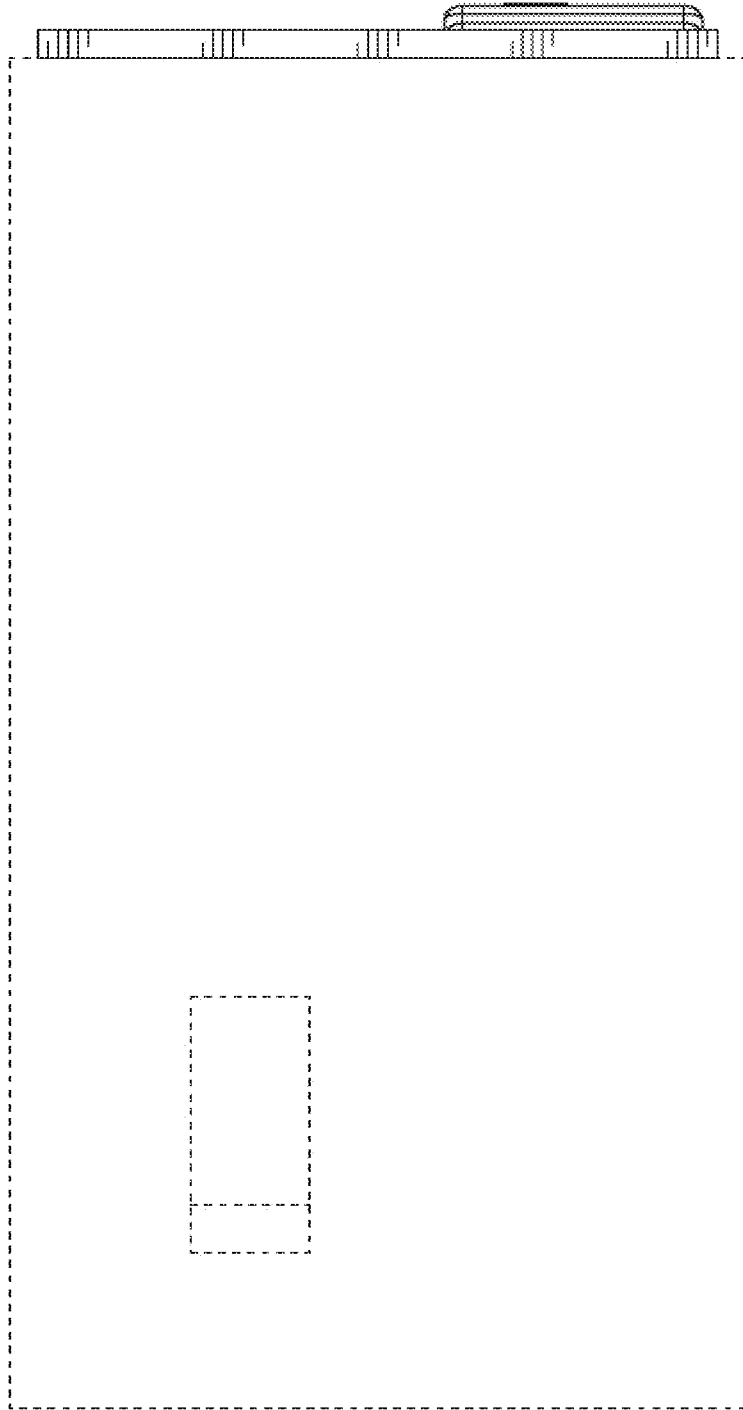


FIG. 7