



(12) **United States Design Patent**
Randall

(10) **Patent No.:** **US D683,794 S**
(45) **Date of Patent:** **** Jun. 4, 2013**

(54) **VENDING MACHINE CONTROL UNIT**

(75) **Inventor:** **Chad Randall**, San Diego, CA (US)

(73) **Assignee:** **IPS Group Inc.**, San Diego, CA (US)

(**) **Term:** **14 Years**

(21) **Appl. No.:** **29/429,464**

(22) **Filed:** **Aug. 10, 2012**

(51) **LOC (9) Cl.** **20-01**

(52) **U.S. Cl.**
USPC **D20/8; D20/9**

(58) **Field of Classification Search**
USPC D20/1-9; 194/205, 206, 244, 321,
194/345, 346, 350; D18/3.3, 4.4; D99/28,
D99/43

See application file for complete search history.

(56) **References Cited**

U.S. PATENT DOCUMENTS

D498,795 S	*	11/2004	Nunn	D20/8
D506,509 S	*	6/2005	Nunn	D20/9
D543,588 S	*	5/2007	Herbert et al.	D20/8

* cited by examiner

Primary Examiner — Mary Ann Calabrese

(74) *Attorney, Agent, or Firm* — Wilson, Sonsini, Goodrich & Rosati

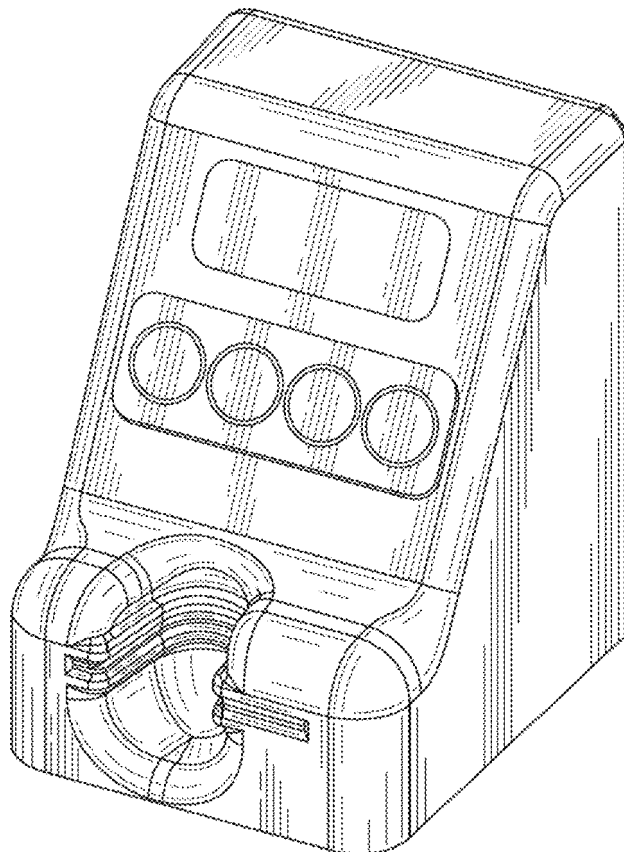
(57) **CLAIM**

The ornamental design for a vending machine control unit, as shown and described.

DESCRIPTION

FIG. 1 is a perspective view of a vending machine control unit showing my new design;
FIG. 2 is a front elevational view thereof;
FIG. 3 is a rear elevational view thereof;
FIG. 4 is a left side elevational view thereof;
FIG. 5 is a right side elevational view thereof;
FIG. 6 is a top plan view thereof; and,
FIG. 7 is a bottom plan view thereof.

1 Claim, 7 Drawing Sheets



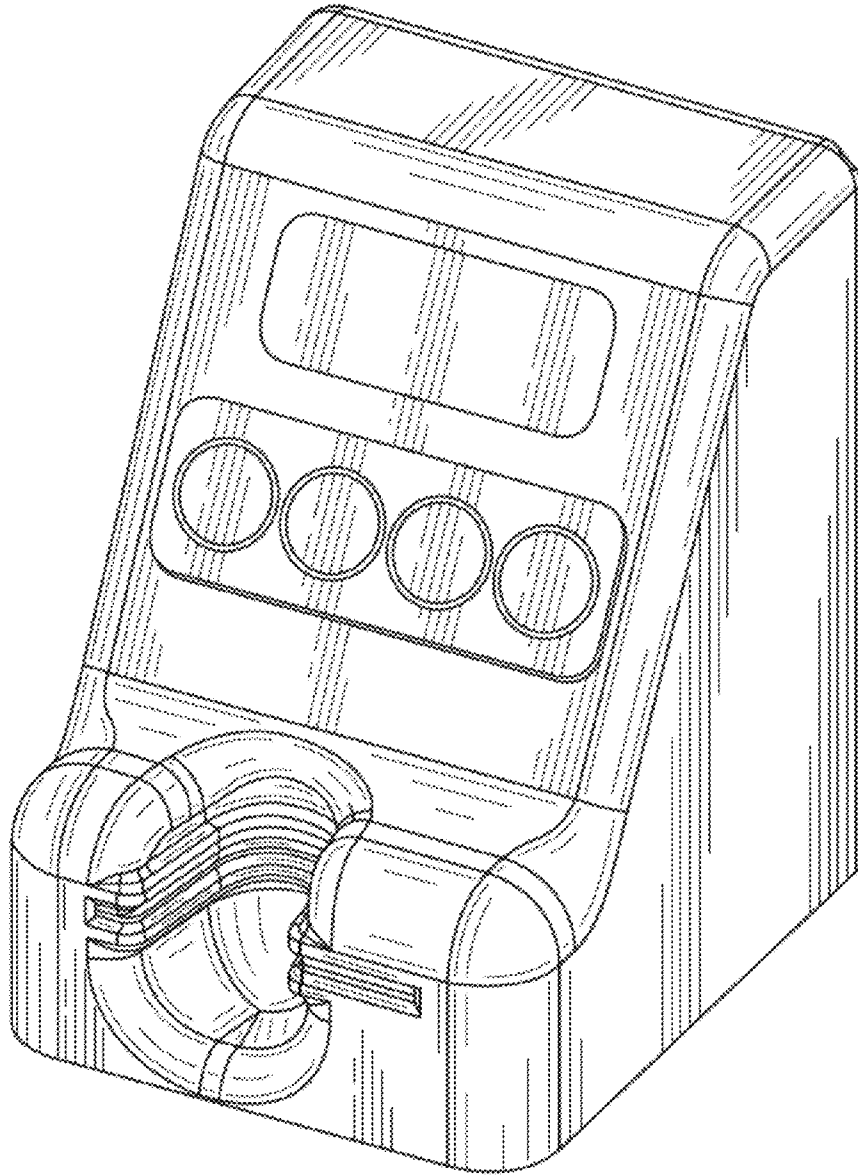


FIG. 1

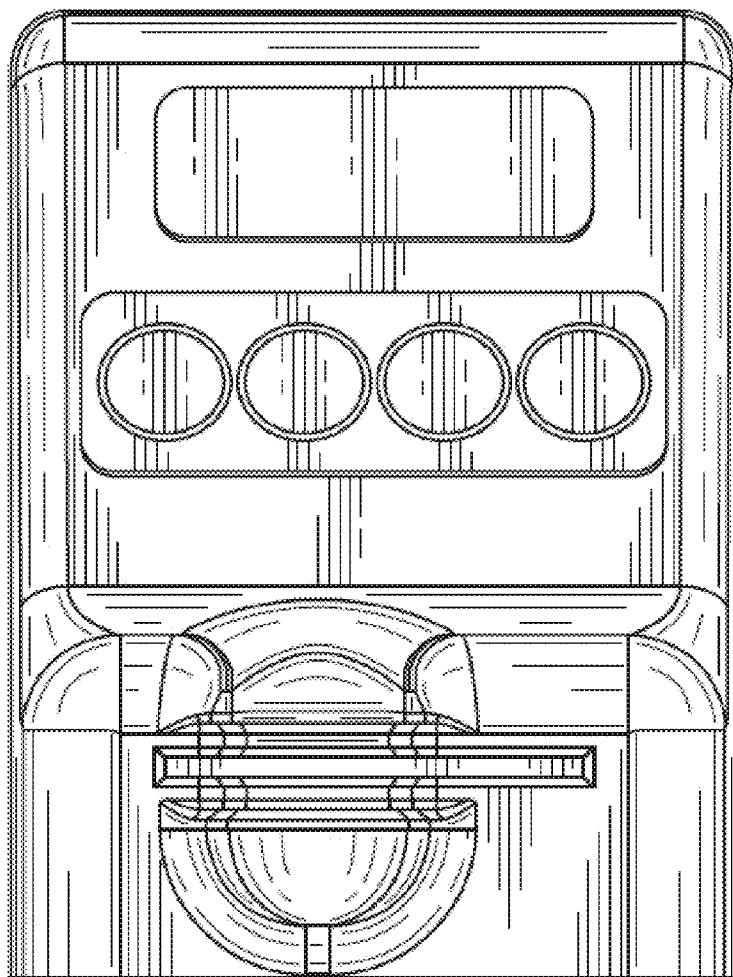


FIG. 2

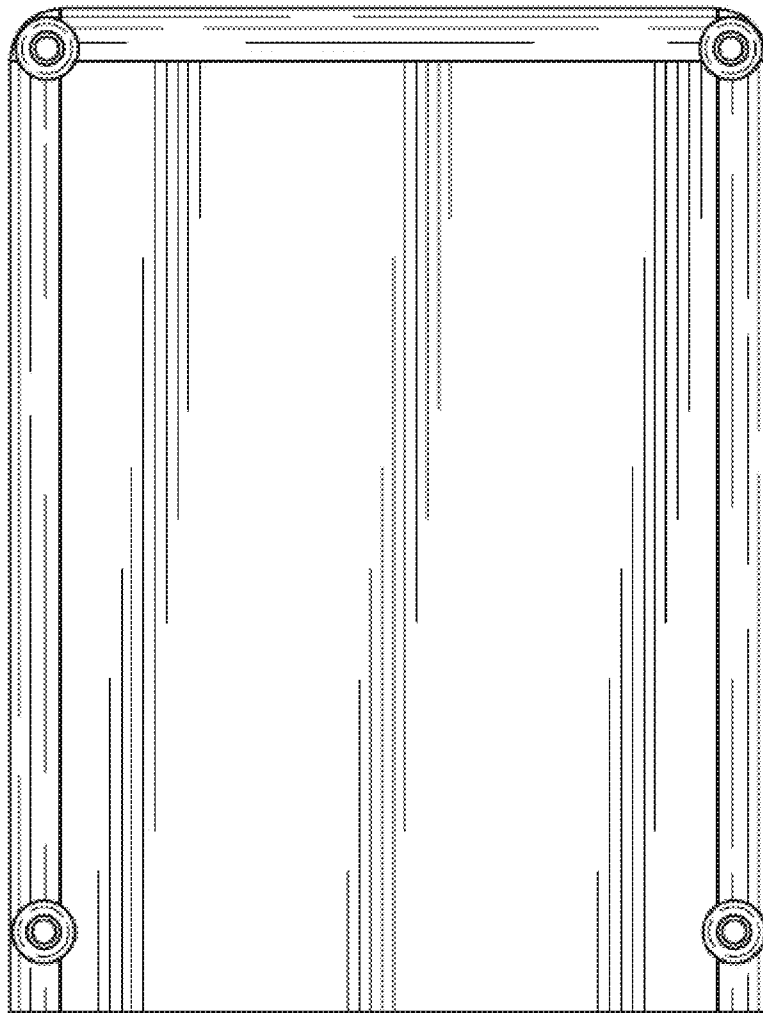


FIG. 3

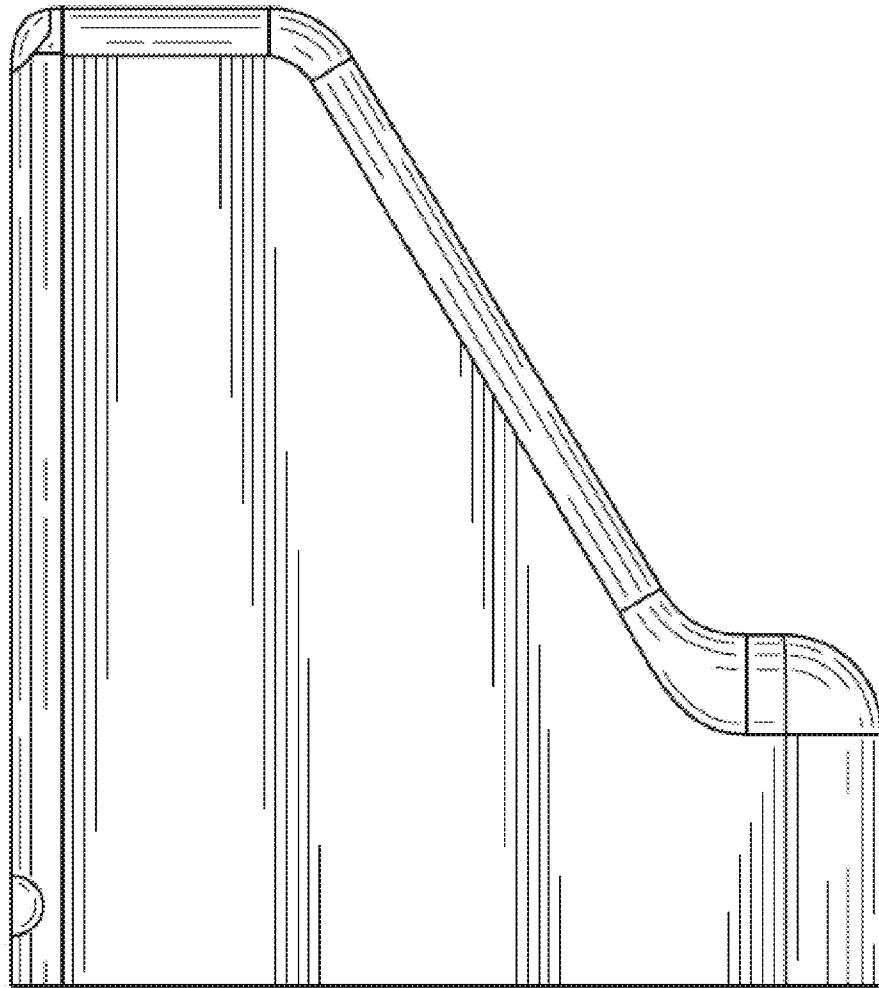


FIG. 4

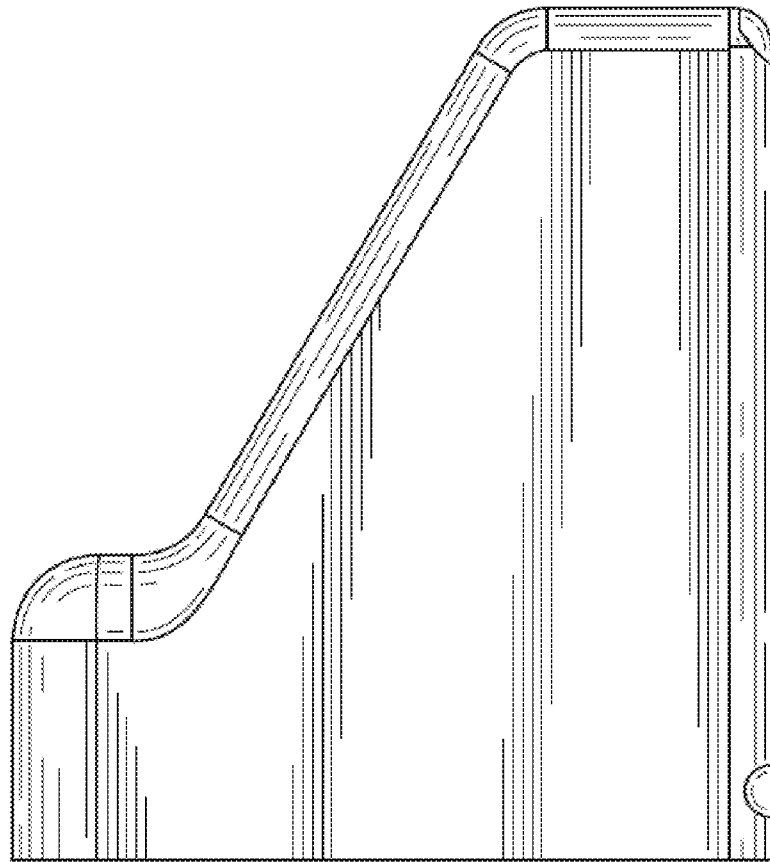


FIG. 5

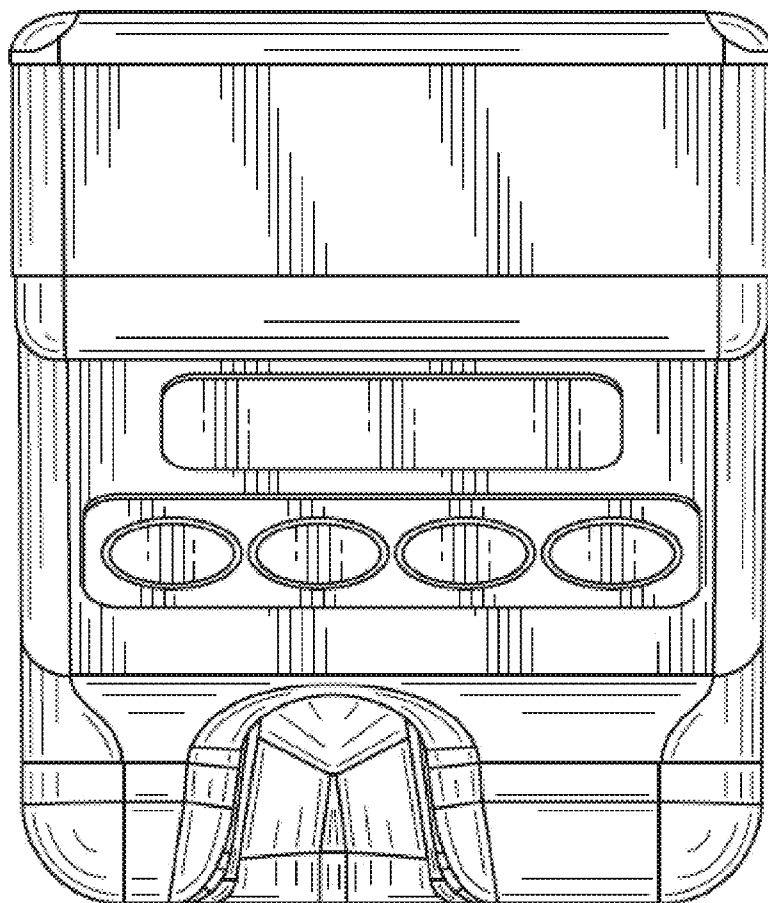


FIG. 6

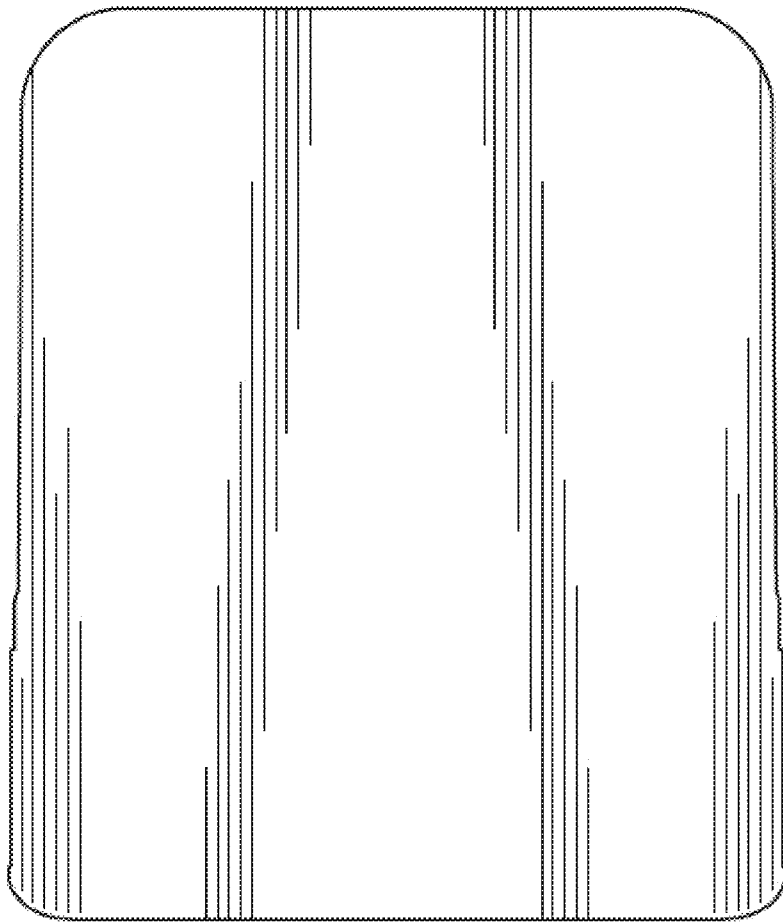


FIG. 7