



(12) **United States Design Patent**
King et al.

(10) **Patent No.:** **US D575,168 S**
(45) **Date of Patent:** **** Aug. 19, 2008**

(54) **PARKING METER**

(75) Inventors: **David William King**, Rancho Santa Fe, CA (US); **Alexander Schwarz**, San Diego, CA (US)

(73) Assignee: **IPS Group Inc.**, Rancho Santa Fe, CA (US)

(**) Term: **14 Years**

(21) Appl. No.: **29/279,021**

(22) Filed: **Apr. 17, 2007**

(51) **LOC (8) Cl.** **10-03**

(52) **U.S. Cl.** **D10/42**

(58) **Field of Classification Search** D10/40-45;
194/217, 350; 340/932.2; 705/13
See application file for complete search history.

(56) **References Cited**

U.S. PATENT DOCUMENTS

D116,805 S *	9/1939	Reznek	D10/42
D166,059 S *	2/1952	Yoss	D10/42
5,617,942 A *	4/1997	Ward et al.	194/217
5,732,812 A *	3/1998	Grainger et al.	194/217
5,805,083 A *	9/1998	Sutton et al.	340/932.2

5,841,369 A *	11/1998	Sutton et al.	340/932.2
D412,289 S *	7/1999	Winwood	D10/42
5,966,345 A *	10/1999	Dee et al.	368/90
6,109,418 A *	8/2000	Yost	194/350
6,243,028 B1 *	6/2001	Krygler et al.	340/932.2
D461,728 S *	8/2002	Tuxen et al.	D10/42

* cited by examiner

Primary Examiner—Robert M. Spear

Assistant Examiner—George D Kirschbaum

(74) *Attorney, Agent, or Firm*—Fitch, Even, Tabin & Flannery

(57) **CLAIM**

We claim the ornamental design for a parking meter, as shown and described.

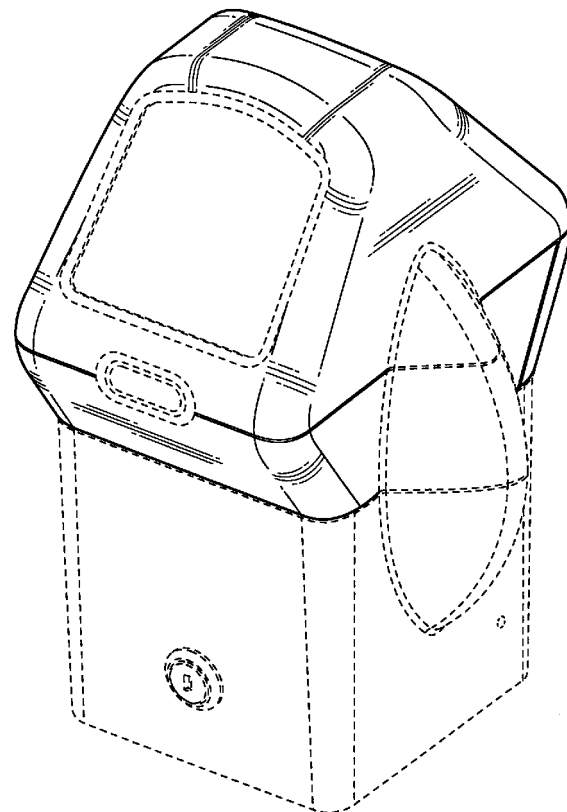
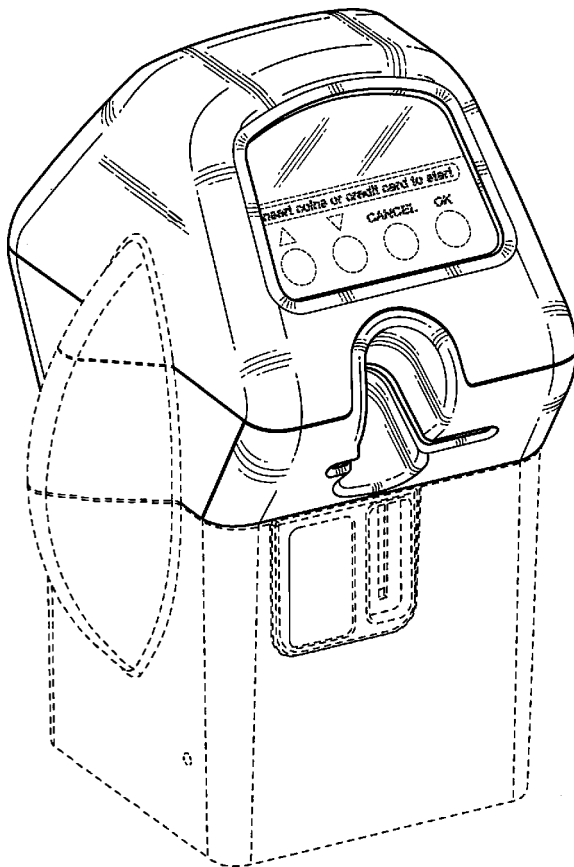
DESCRIPTION

FIG. 1 is a front left perspective view of a parking meter showing our new design; and,

FIG. 2 is a rear perspective view thereof.

In the drawings, the broken line showing of a coin slot region, surface labeling and buttons, status indicator and rear window depict environmental subject matter and forms no part of the claim.

1 Claim, 2 Drawing Sheets



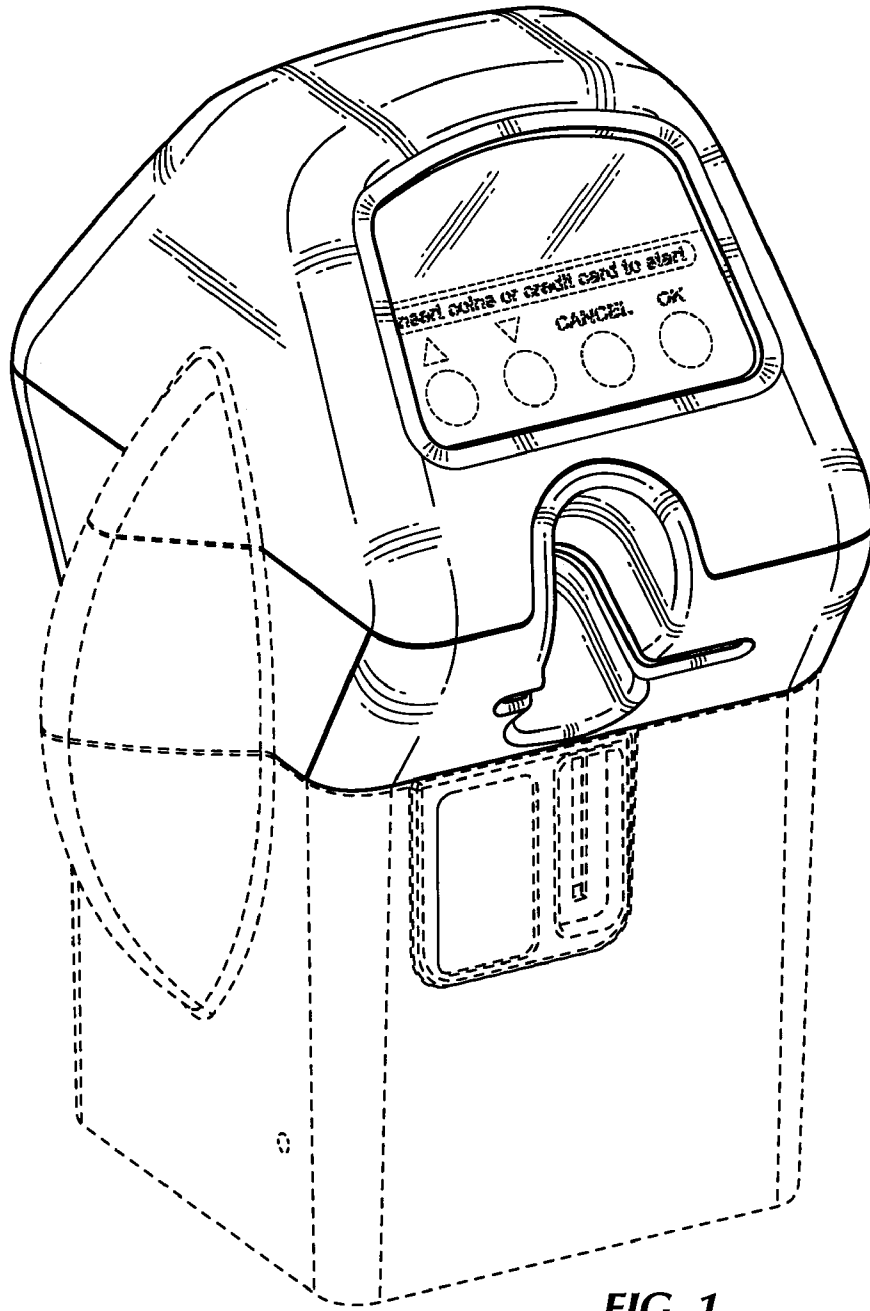


FIG. 1

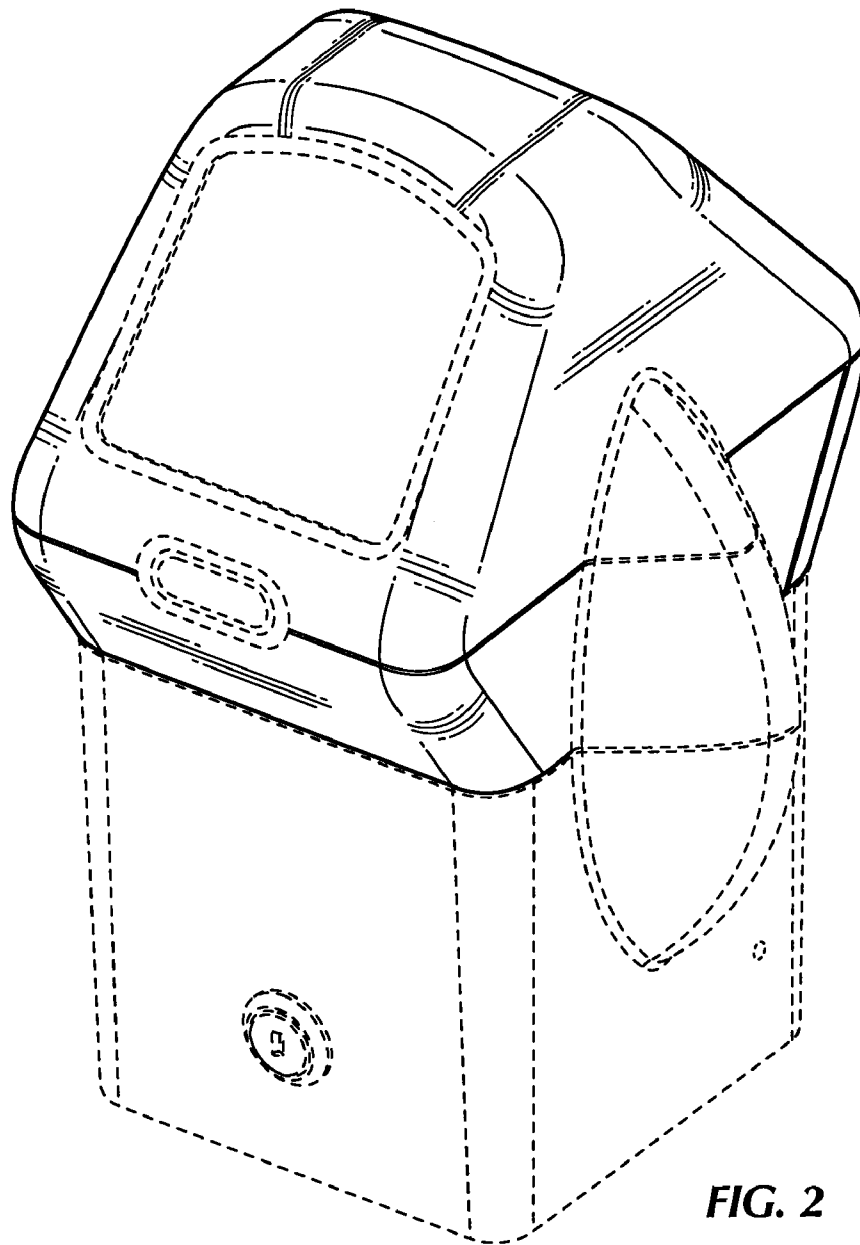


FIG. 2