



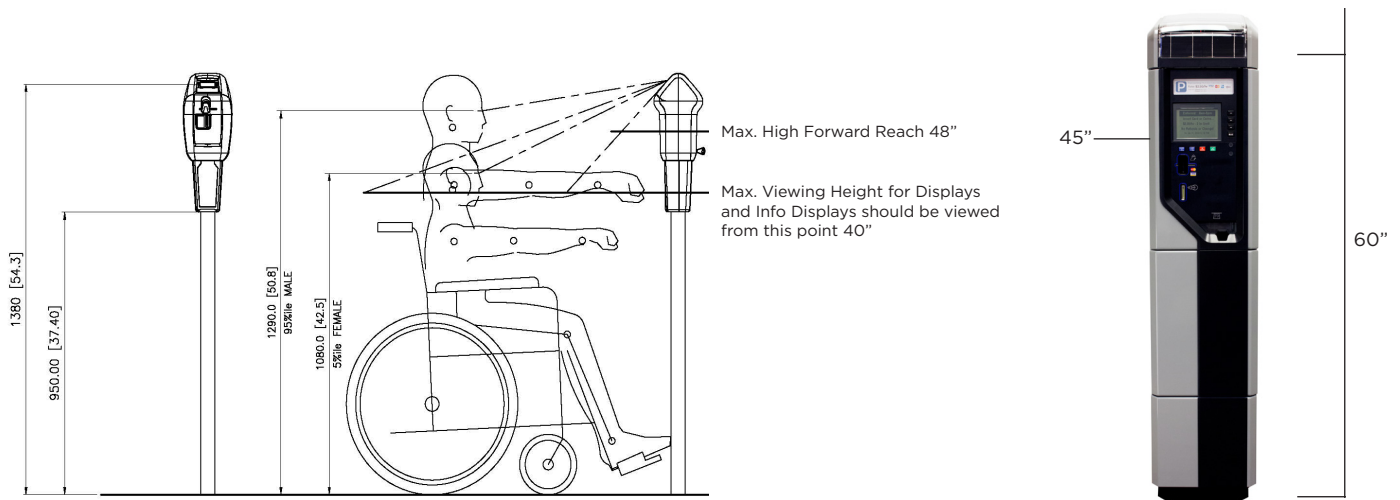
ADA CERTIFICATION

The MS1 Multi-Space Pay Station and M5™ Single Space Parking Meter are compliant with the Federal Americans with Disabilities Act (ADA).

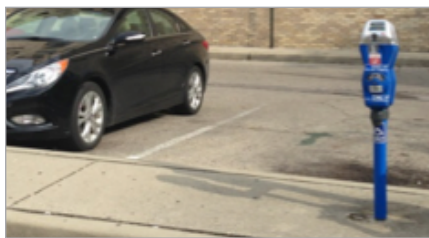
- The pay station screen is positioned at a height of 45”
- IPS meters are ADA compliant as long as the meter poles are cut to the appropriate heights.

ADA - “The force required to activate operable parts shall be 5 pounds (22.2 N) maximum.”

The MS1 and M5™ key buttons complies with this requirement. The force to operate the key buttons is typically equal or less than one pound.



Wheelchair
Accessible
Smart Meters



Wheelchair accessible IPS smart meters in the City of Columbus, OH

IPS, IPS Group, and other IPS-owned marks are trademarks and/or registered trademarks of IPS Group, Inc. All third-party names, product names, trademarks are owned by their respective owners, and are used for reference purposes only. IPS Group disclaims any affiliation with or endorsement by any of the companies referenced above.

For more information about dynamic parking solutions from IPS Group, please contact your sales representative by calling 1 877 630 6638 or visiting IPSGroup.com