



Office de la Propriété  
Intellectuelle  
du Canada  
  
Un organisme  
d'Industrie Canada

Canadian  
Intellectual Property  
Office  
  
An agency of  
Industry Canada

CA 2650195 A1 2009/07/18

(21) **2 650 195**

(12) **DEMANDE DE BREVET CANADIEN  
CANADIAN PATENT APPLICATION**

(13) **A1**

(22) Date de dépôt/Filing Date: 2009/01/19  
(41) Mise à la disp. pub./Open to Public Insp.: 2009/07/18  
(30) Priorités/Priorities: 2008/01/18 (US60/022,208);  
2008/01/18 (US60/022,213)

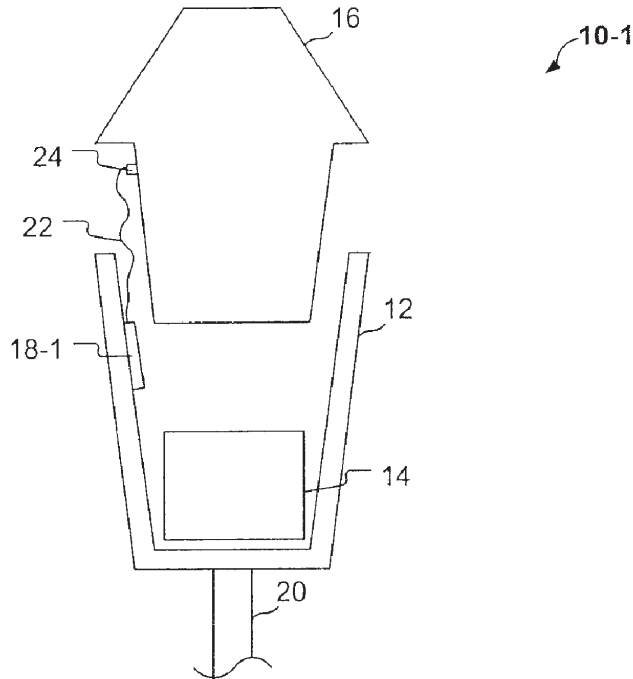
(51) Cl.Int./Int.Cl. *G01D 4/02* (2006.01),  
*G07F 17/24* (2006.01), *H04W 84/02* (2009.01),  
*G07C 1/30* (2006.01)

(71) Demandeur/Applicant:  
IPS GROUP, INC., US

(72) Inventeurs/Inventors:  
KING, DAVID WILLIAM, US;  
SCHWARZ, ALEXANDER, US;  
HUNTER, JOHN STEPHEN, US

(74) Agent: SMART & BIGGAR

(54) Titre : METHODE ET APPAREILLAGE PERMETTANT LA GESTION AUTOMATIQUE DE CONFIGURATION  
SPECIFIQUE A L'EMPLACEMENT D'UN COMPTEUR AMOVIBLE  
(54) Title: METHOD AND APPARATUS FOR AUTOMATIC LOCATION-SPECIFIC CONFIGURATION MANAGEMENT  
OF A REMOVABLE METER UNIT



(57) Abrégé/Abstract:

A meter apparatus and method of operating a removable meter apparatus are described. The meter apparatus includes a tag associated with unique tag identification information and configured to be permanently affixed to a location housing at a unique

Canada

<http://opic.gc.ca> • Ottawa-Hull K1A 0C9 • <http://cipo.gc.ca>

OPIC



CIPO

OPIC • CIPO 191