



Office de la Propriété
Intellectuelle
du Canada

Un organisme
d'Industrie Canada

Canadian
Intellectual Property
Office

An agency of
Industry Canada

CA 2650192 A1 2009/07/18

(21) **2 650 192**

(12) **DEMANDE DE BREVET CANADIEN
CANADIAN PATENT APPLICATION**

(13) **A1**

(22) Date de dépôt/Filing Date: 2009/01/19

(41) Mise à la disp. pub./Open to Public Insp.: 2009/07/18

(30) Priorités/Priorities: 2008/01/18 (US60/022,208);
2008/01/18 (US60/022,213)

(51) Cl.Int./Int.Cl. *G08C 17/02* (2006.01),
G06Q 20/00 (2006.01), *G07F 17/24* (2006.01),
G08G 1/14 (2006.01), *H04W 88/02* (2009.01),
H04W 88/04 (2009.01)

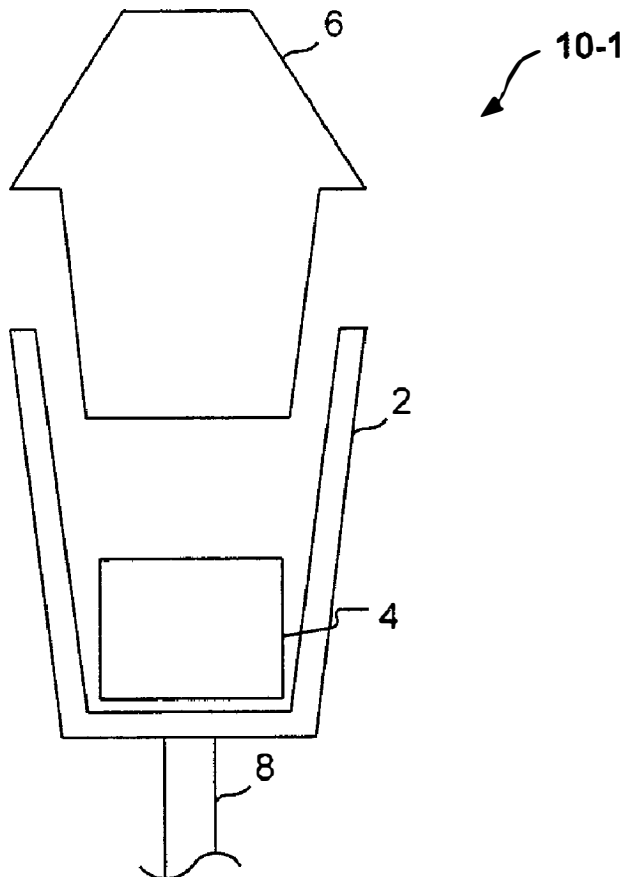
(71) Demandeur/Applicant:
IPS GROUP, INC., US

(72) Inventeurs/Inventors:
KING, DAVID WILLIAM, US;
SCHWARZ, ALEXANDER, US;
HUNTER, STEPHEN JOHN, US

(74) Agent: SMART & BIGGAR

(54) Titre : METHODE ET APPAREILLAGE PERMETTANT L'EXPLOITATION D'UN COMPTEUR AMOVIBLE

(54) Title: METHOD AND APPARATUS FOR OPERATING A REMOVABLE METER UNIT



(57) Abrégé/Abstract:

A method and apparatus for operating a meter uniquely associated with a physical location are provided. The method includes monitoring a communication channel for a message from a remote device and identifying an initial message directed to the meter

(57) **Abrégé(suite)/Abstract(continued):**

uniquely associated with the physical location, establishing a communication session with a data manager in response to the initial message from the remote device, receiving configuration information from the data manager, the configuration information associated with operation of the meter and uniquely associated with the physical location of the meter, and transmitting meter operating data to the data manager, wherein the meter is self-powered.